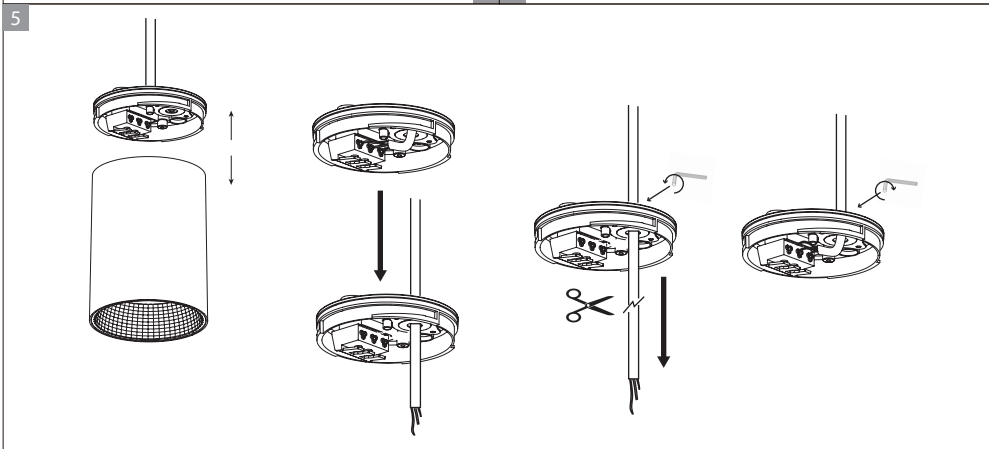
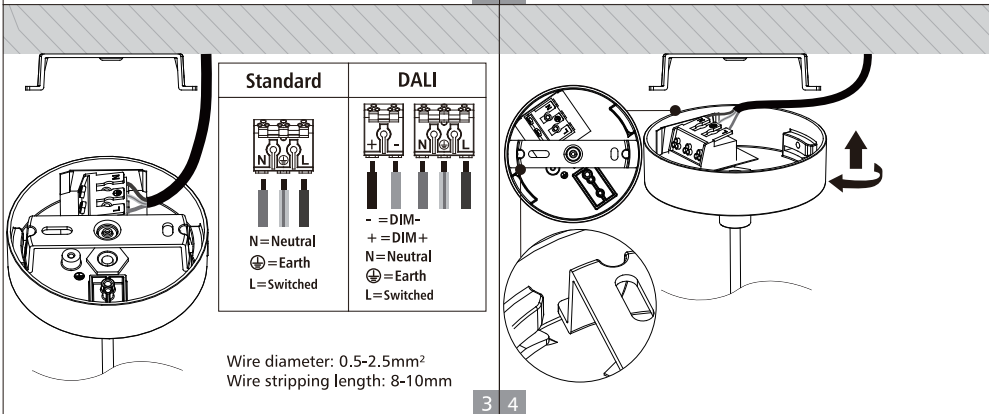
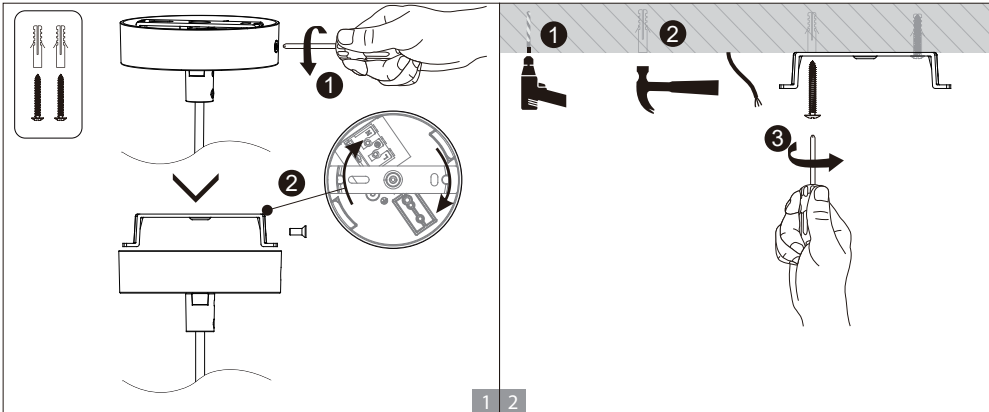
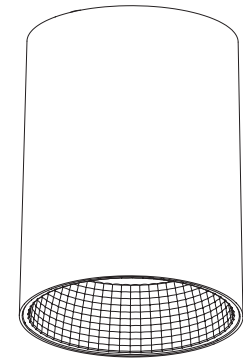


Pendant with internal driver



grace

COMPOSE Lens SM and Pendant Installation Manual



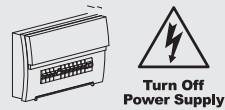
Important Safety Instructions:

1. Turn off power before installation or before doing any maintenance work.
2. Do not install any luminaire near a heat source.
3. For Outdoor and Indoor use.
4. Do not exceed the nominal supply voltage or amperage ratings.
5. All wiring and installation of this luminaire must adhere to local and national wiring rules eg AS/NZS 3000:2007 Amendment 2:2012 Electrical Installation
6. Take care not to pull any electrical wires during unpacking as this may damage the connection.
7. Lay out all the components on a smooth surface and make sure there are no components missing before assembling.
8. To avoid injury or damage to the fitting, please ensure that power leads and screws are secure before connecting the power.
9. Please keep instructions for future reference.

Installation Procedure

WARNING ⚡

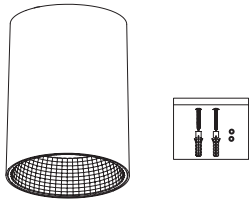
1. Switch off before installation.
2. Switch on only after complete installation and examination of the circuit.
3. Professional electrician for installation and maintenance only.



Turn Off power supply before starting any installation. Read instructions & check you have all the tools & accessories to complete the installation correctly.

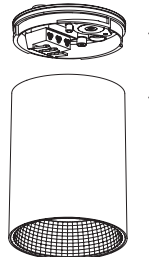
Downlight with internal driver

Step 1



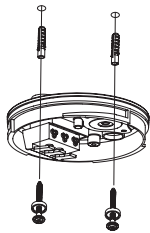
Take out the fitting and accessories.

Step 2



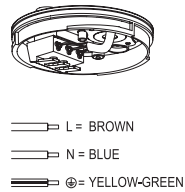
Take out the bracket from the fitting.

Step 3



Knock the plastic anchor into ceiling, fix the bracket on the ceiling.

Step 4



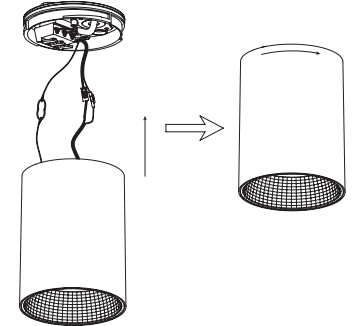
Connect the main wires to the terminal in the bracket.

Step 5



Connect the safety rope, and plug the earth wire connector, then plug the male and female connector.

Step 6



Fix the lamp and bracket by rotating clockwise.

Step 7

