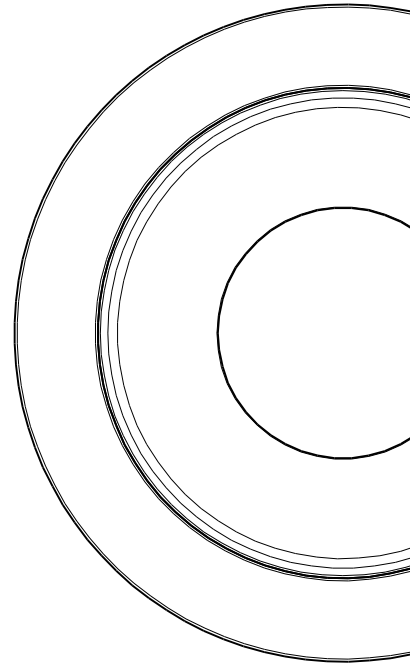


grace

THRIVE Nano Installation Manual



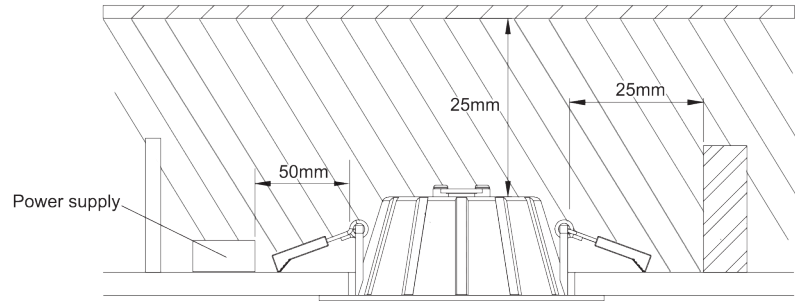
Safety Instructions

1. Turn off power before installation or before doing any maintenance work.
2. Do not install any luminaire near a heat source.
3. For Indoor use.
4. Do not exceed the nominal supply voltage or amperage ratings.
5. All wiring and installation of this luminaire must adhere to local and national wiring rules eg AS/NZS 3000:2007 Amendment 2:2012

Electrical Installation

6. Take care not to pull any electrical wires during unpacking as this may damage the connection.
7. Lay out all the components on a smooth surface and make sure there are no components missing before assembling.
8. To avoid injury or damage to the fitting, please ensure that power leads and screws are secure before connecting the power.
9. Please keep instructions for future reference.

Installation Instruction



Do not install through or directly into joist, beam, rafter or ceiling batten.

Side Clearance from heatsink to building element (e.g. timber, joist or batten) - SCB	25 mm
Height Clearance from heatsink to building element (e.g. timber, joist or batten) - HCB	25 mm
Minimum insulation clearance to building element - MIC	25 mm



Recessed luminaires and their associated equipment may pose a risk of fire or damage to property if not installed and maintained correctly. Novii recommends a clearance of 25mm to building elements for optimum lifespan.

This data sheet contains information necessary to ensure compliance with the New Zealand Electrical Code of Practice for Installation and Maintenance of Recessed Luminaires and Associated Equipment AS/NZS 60598.2.2:2001

Installation Procedure

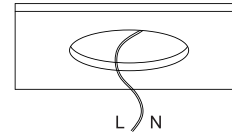
WARNING

1. Switch off before installation.
2. Switch on only after complete installation and examination of the circuit.
3. Professional electrician for installation and maintenance only.

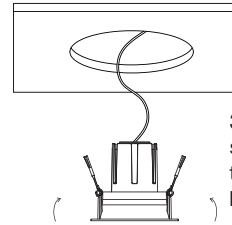


Turn Off power supply before starting any installation. Read instructions & check you have all the tools & accessories to complete the installation correctly.

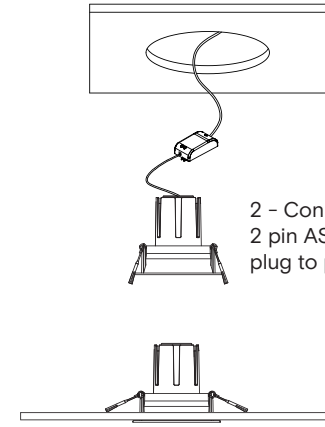
Downlight with external driver



- 1 - Cut out the hole in the ceiling (see table for cutout size) Find the power cable to connect the lamp



- 3 - Hold back the spring clips then push the downlight into the hole



- 2 - Connect the 2 pin AS/NZS plug to power

- 4 - Make sure the downlight is fixed tightly in the ceiling. Turn on power

Model SKU	Diameter (mm)	Cutout (mm)	IP rating
G2-T1N6	63	55	20
G2-T2N9	73	65	20
G2-T3N12	83	75	20
G2-T4N18	105	90	20