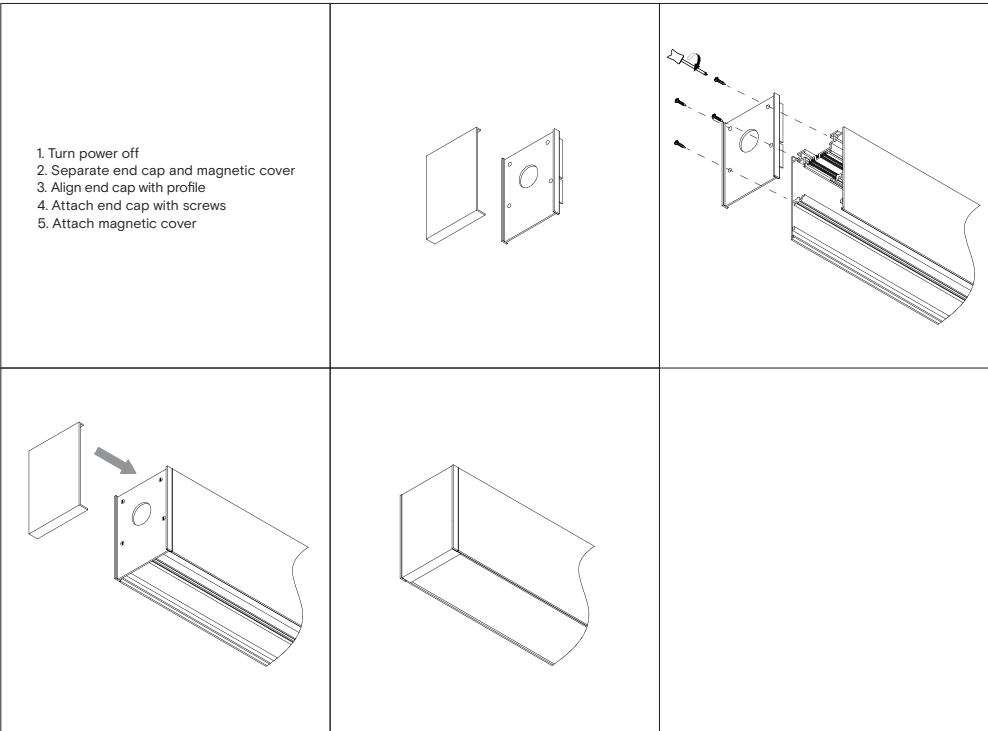
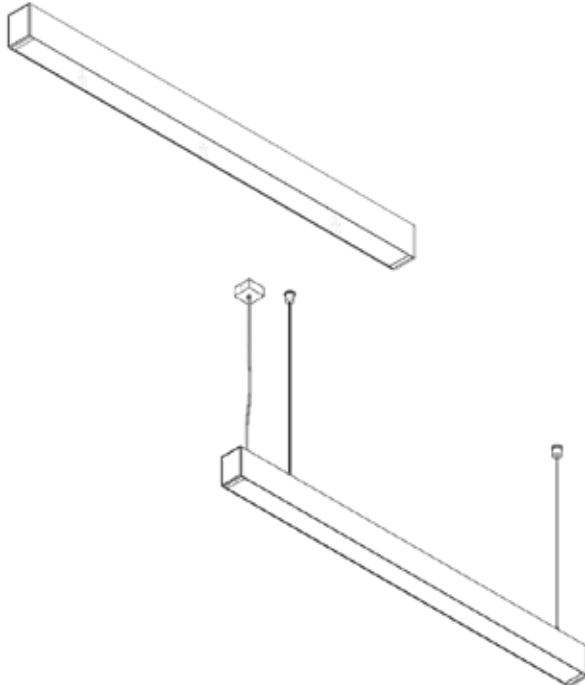


End Caps T3



Tyke

**N series
Installation Manual**



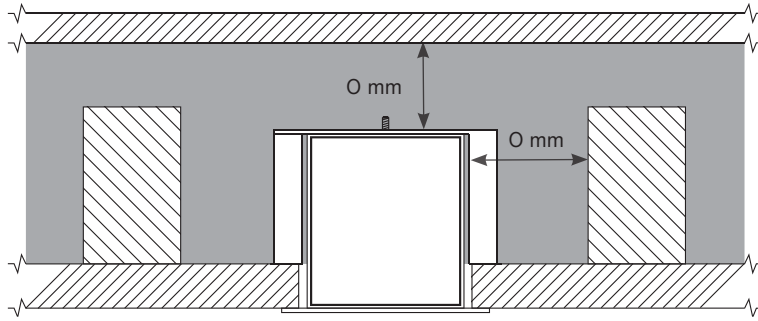
Safety Instructions T3

1. Turn off power before installation or before doing any maintenance work.
2. Do not install any luminaire near a heat source.
3. For Indoor use.
4. Do not exceed the nominal supply voltage or amperage ratings.
5. All wiring and installation of this luminaire must adhere to local and national wiring rules eg AS/NZS 3000:2007 Amendment 2:2012

Electrical Installation

6. Take care not to pull any electrical wires during unpacking as this may damage the connection.
7. Lay out all the components on a smooth surface and make sure there are no components missing before assembling.
8. To avoid injury or damage to the fitting, please ensure that power leads and screws are secure before connecting the power.
9. Please keep instructions for future reference.

Recessed T3



Rear of fitting may abut structural members and building elements. Do not install through or directly into joist, beam, rafter or ceiling batten.

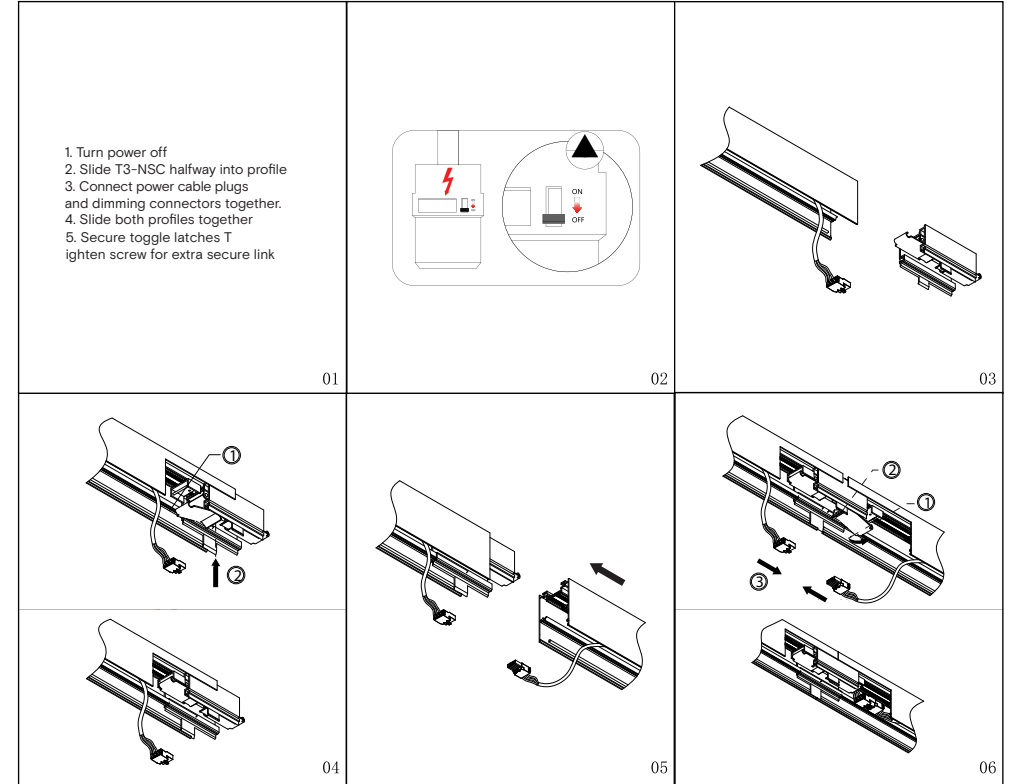
Side Clearance from heatsink to building element (e.g. timber, joist or batten) - SCB	0 mm
Height Clearance from heatsink to building element (e.g. timber, joist or batten) - HCB	0 mm
Minimum insulation clearance to building element - MIC	0 mm



Recessed luminaires and their associated equipment may pose a risk of fire or damage to property if not installed and maintained correctly. Novii recommends a clearance of 0mm to building elements for optimum lifespan.

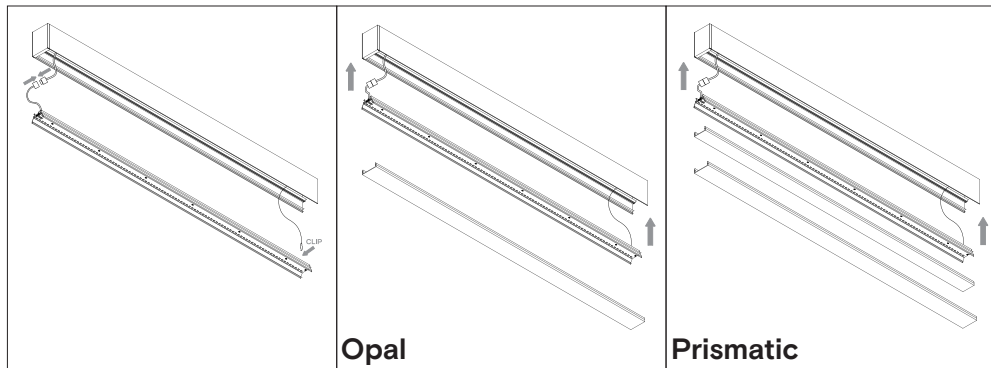
This data sheet contains information necessary to ensure compliance with the New Zealand Electrical Code of Practice for Installation and Maintenance of Recessed Luminaires and Associated Equipment AS/NZS 60598.2.2:2001

Linking profiles T3

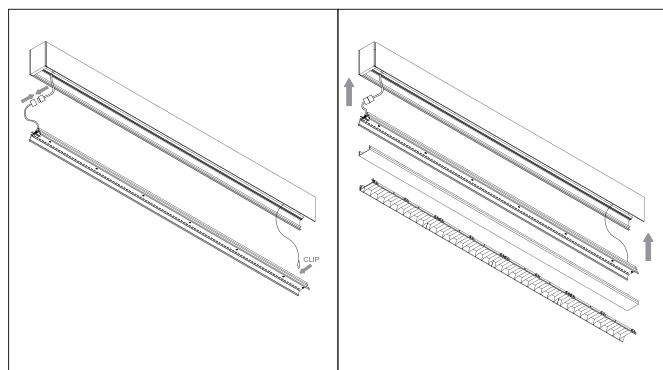


1. Turn power off
2. Slide T3-NSC halfway into profile
3. Connect power cable plugs and dimming connectors together.
4. Slide both profiles together
5. Secure toggle latches T
tighten screw for extra secure link

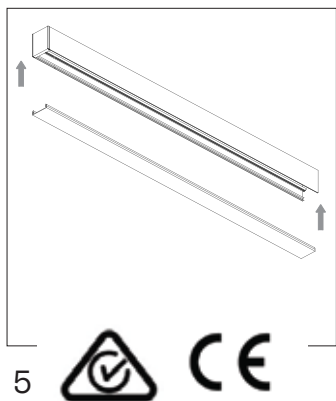
Opal/Prismatic Optic T3-OO/ T3-OP



Honeycomb/Louver Optic T3-OH/ T3-OL



Blanking Plate T3



5

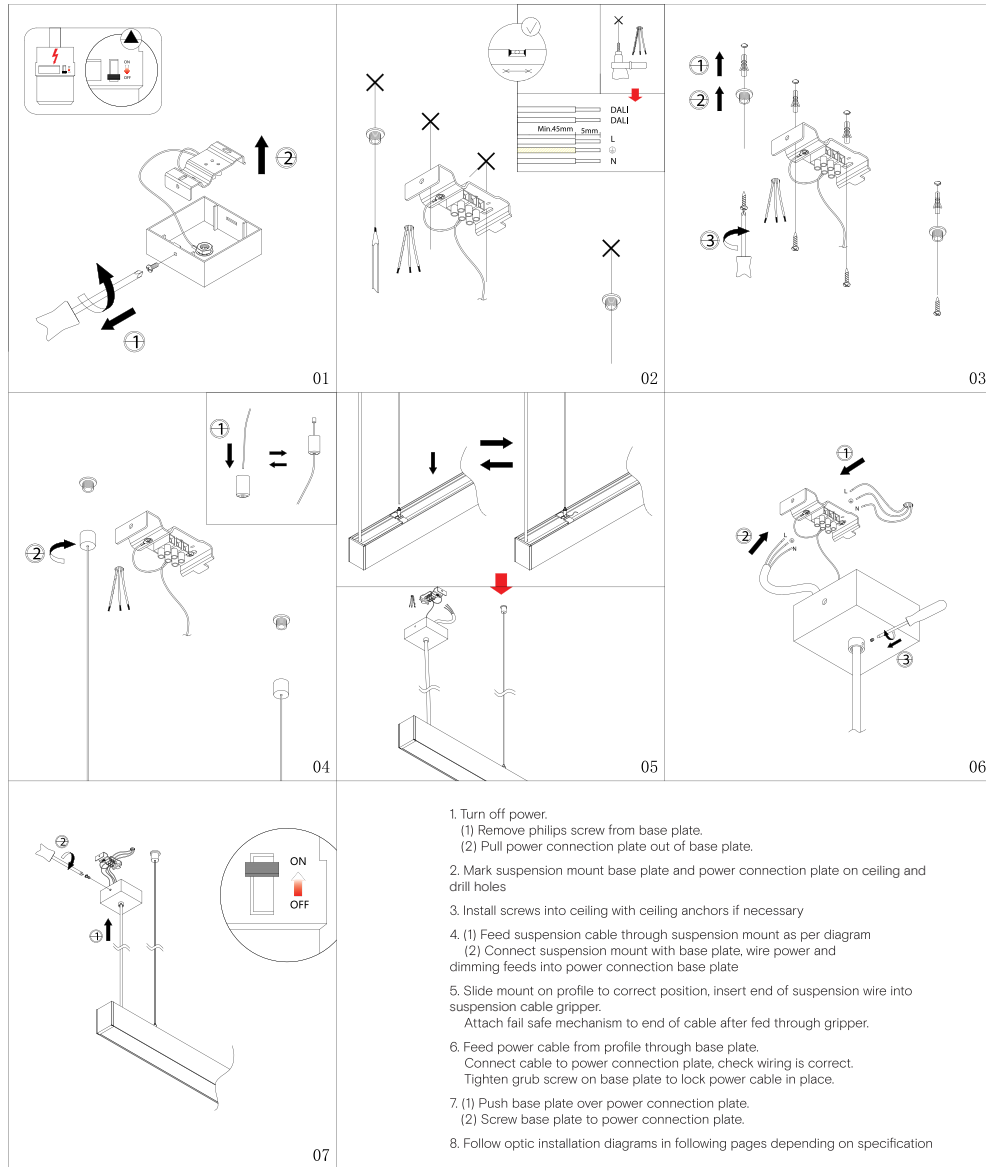


Recessed T3

<ol style="list-style-type: none"> 1. Turn off power 2. To calculate cut-out length measure total length and subtract 5mm from total. Cut-out width = 70mm 3. Connect power and dimming cable. Push profile into cut-out. Make sure mount brackets are flat against profile body when inserting. 4. Use Philips screwdriver to tighten mount brackets until profile is anchored securely to the ceiling. 5. Follow LED tray and optic installation. Once tray and optics are in place slide the end cap covers into place. 		<p> </p>

2

Suspended T3



01

02

03

04

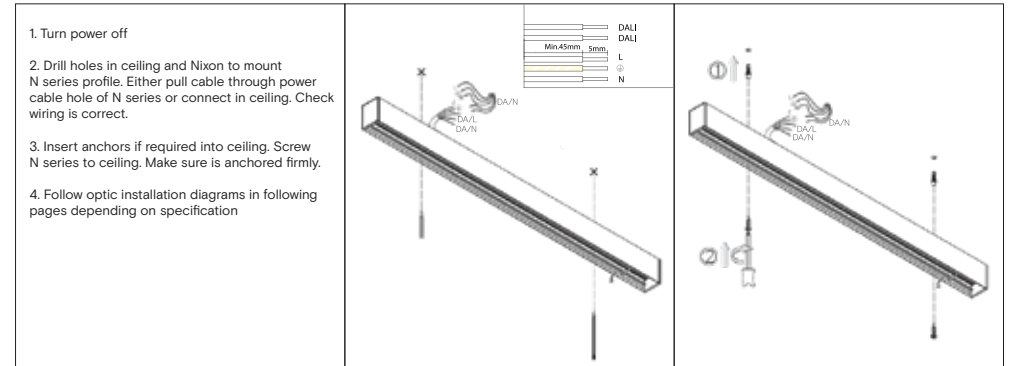
05

06

07

- Turn off power.
 - Remove philips screw from base plate.
 - Pull power connection plate out of base plate.
- Mark suspension mount base plate and power connection plate on ceiling and drill holes
- Install screws into ceiling with ceiling anchors if necessary
- Feed suspension cable through suspension mount as per diagram
 - Connect suspension mount with base plate, wire power and dimming feeds into power connection base plate
- Slide mount on profile to correct position, insert end of suspension wire into suspension cable gripper. Attach fail safe mechanism to end of cable after fed through gripper.
- Feed power cable from profile through base plate. Connect cable to power connection plate, check wiring is correct. Tighten grub screw on base plate to lock power cable in place.
- Push base plate over power connection plate.
 - Screw base plate to power connection plate.
- Follow optic installation diagrams in following pages depending on specification

Surface Mounted direct T3



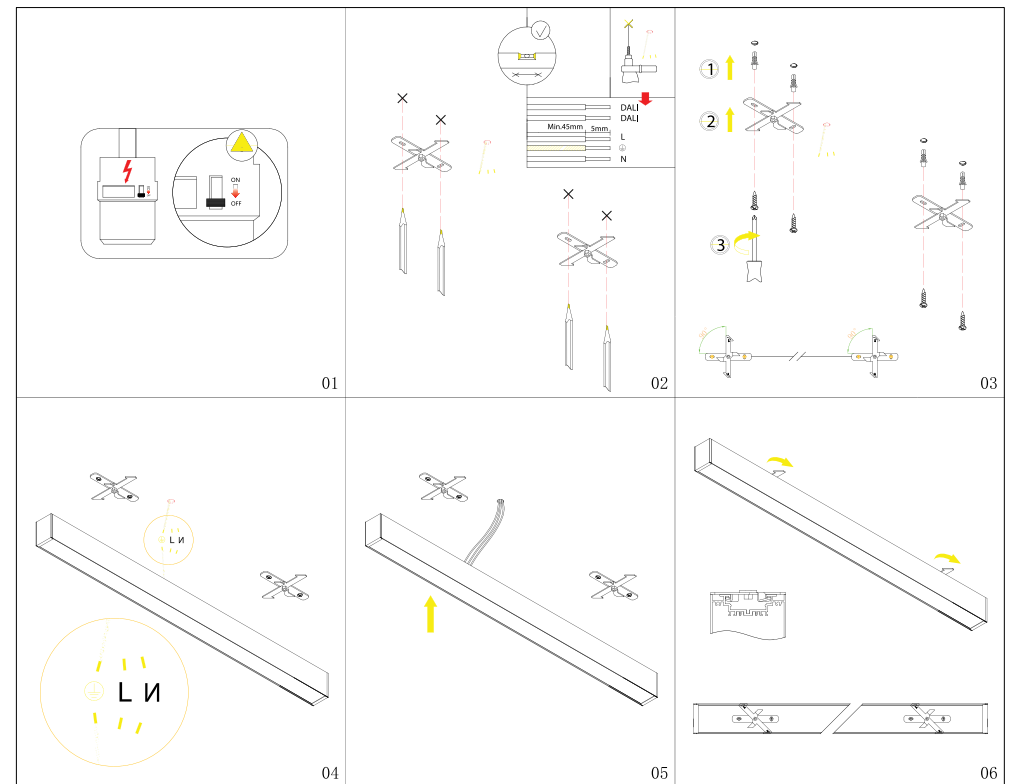
01

02

03

- Turn power off
- Drill holes in ceiling and Nixon to mount N series profile. Either pull cable through power cable hole of N series or connect in ceiling. Check wiring is correct.
- Insert anchors if required into ceiling. Screw N series to ceiling. Make sure is anchored firmly.
- Follow optic installation diagrams in following pages depending on specification

Surface Mounted Kit T3



01

02

03

04

05

06