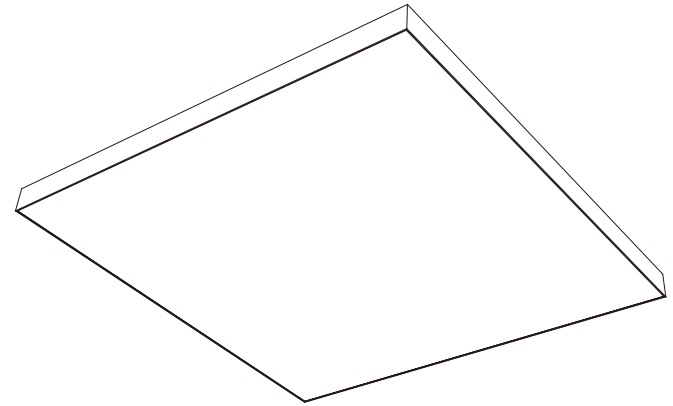
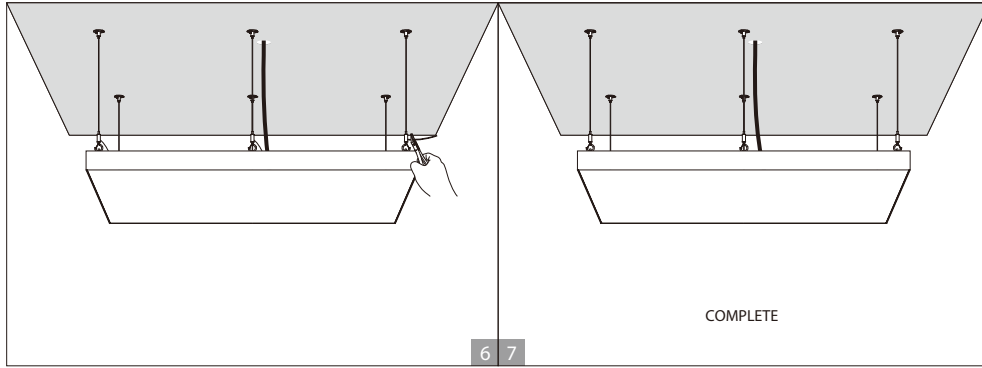


grace

FORM
Installation Manual



Safety Instructions

Basic safety precautions should always be followed when installing, including the following:

1. Read instructions carefully before installing.
2. This LED Panel requires professional installation and maintenance.
3. The power supply of the LED Panel should be powered by a dedicated external LED driver.
4. Disconnect the power supply before installing or maintenance.
5. Make sure the wires have been properly connected before powering on the device.
6. Ensure the product has enough space for heat dissipation.
7. Ensure the luminaires are never covered by any heat insulation mat or slim layer material at anytime.
8. Dimmable compatible with DALI dimmers
9. IP40 for indoor use only, not for damp location
10. Ambient Temperature: -10°C to $+45^{\circ}\text{C}$, Avoid direct sunlight.
11. Storage Conditions: Cool & dry conditions.

Installation Procedure

WARNING

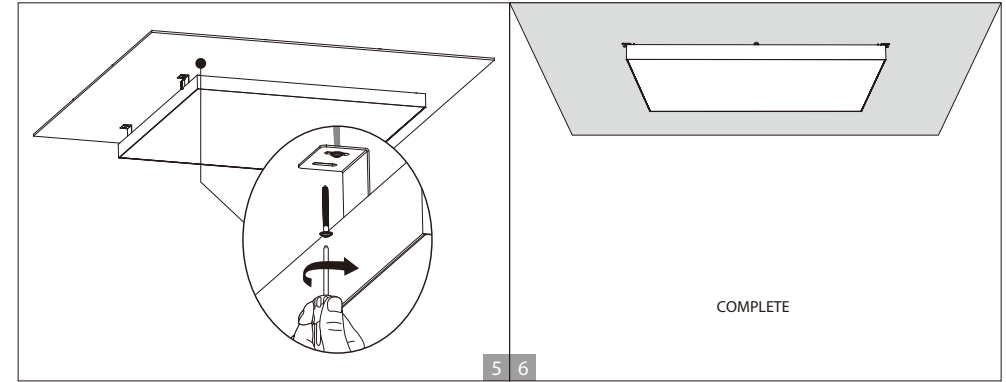
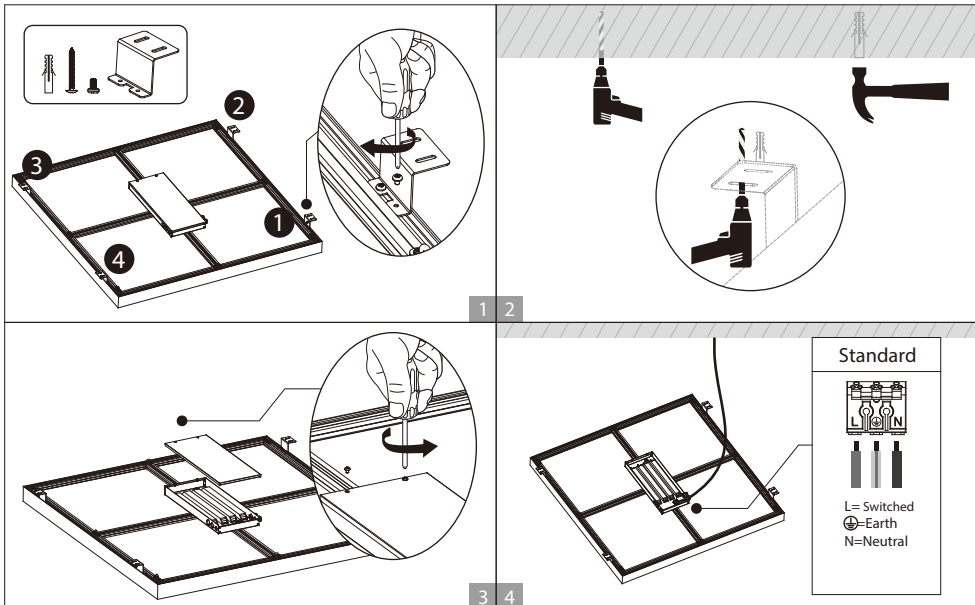
1. Switch off before installation.
2. Switch on only after complete installation and examination of the circuit.



CAUTION

Make sure that the mounting surface or structural member used for installation can support the weight of LED Panel.

Surface mounted installation



Suspended installation

