

## Installation Instructions Base Canopy

### Regulations

To ensure correct functionality and safety please read instructions carefully before using this product. This luminaire complies with AS/NZS 60598.1, AS/NZS 60598.2.5

All wiring and installation of this luminaire must adhere to local and national wiring rules eg AS/NZS 3000:2007 Amendment 2:2012 Electrical Installation

### TIPS

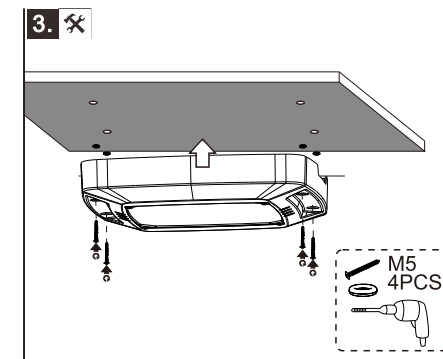
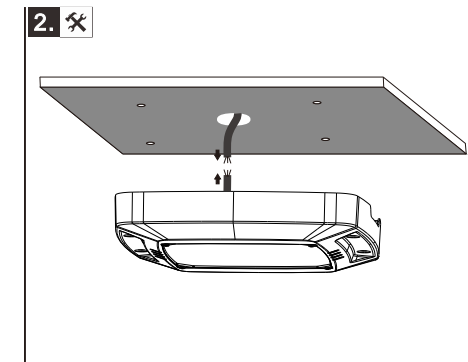
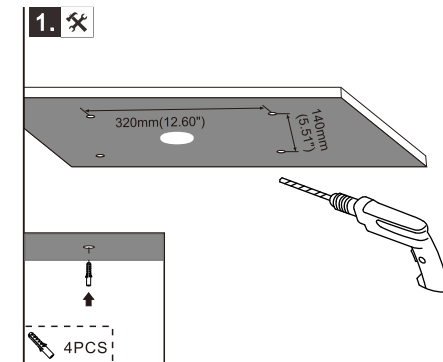
1. Always ensure power is off and the fitting has cooled down before performing any maintenance or adjustment to the fitting
2. To avoid injury or damage to the fitting, ensure that power leads and screws are secure before connecting the power
3. Handle the fitting with care to avoid damage
4. Find a suitable location away from liquids or hazards
5. To clean, wipe with a damp clean cloth. Never soak the fitting with water.

### Technical specifications

| Product Specifications | 75W              | 100W | 120W |
|------------------------|------------------|------|------|
| Input Voltage          | 220-240VAC       |      |      |
| Power Frequency        | 50 / 60 Hz       |      |      |
| Outlook Dimensions     | 369.5x368.5x65mm |      |      |
| Net Weight             | 3.9±0.3kg        |      |      |
| Working Temperature    | -30°C to + 50°C  |      |      |
| Storing Temperature    | -40°C to +70°C   |      |      |

### Installation steps

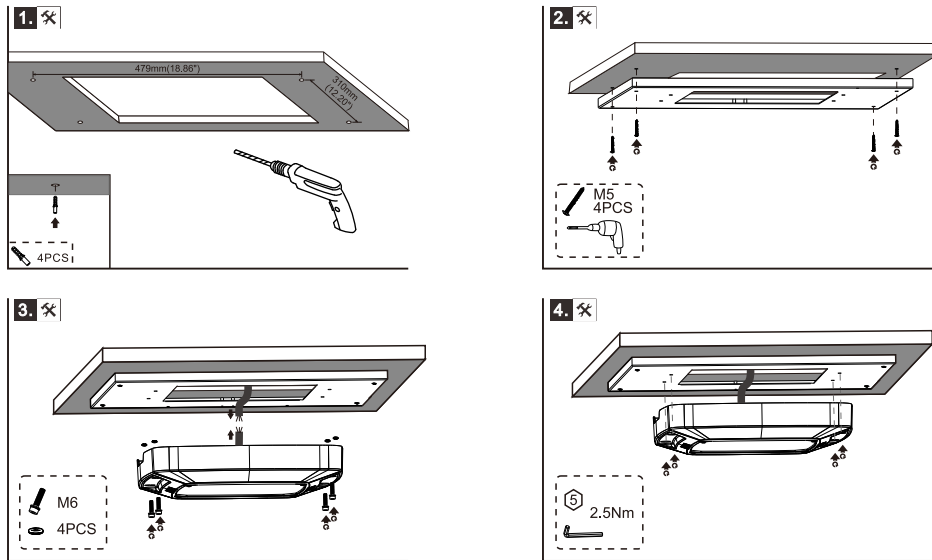
#### Surface mount



## Installation Instructions Base Canopy

### Installation steps

#### Surface mount with adapter plate



#### 3/4 Conduit mount

