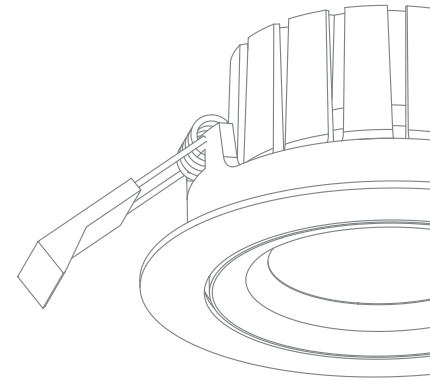


grace

COMPOSE IP65 Installation Manual



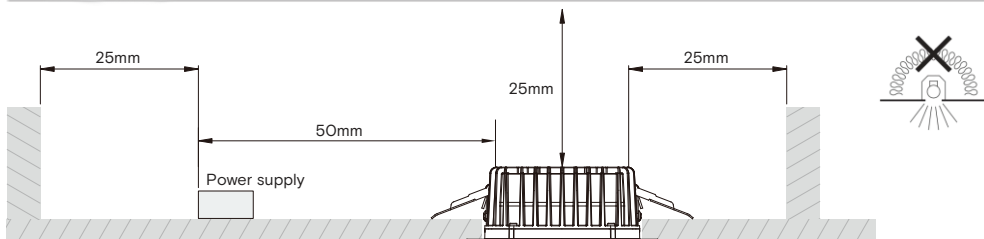
Safety Instruction:

1. Turn off power before installation or before doing any maintenance work.
2. Do not install any luminaire near a heat source.
3. For Outdoor and Indoor use.
4. Do not exceed the nominal supply voltage or amperage ratings.
5. All wiring and installation of this luminaire must adhere to local and national wiring rules eg AS/NZS 3000:2007 Amendment 2:2012

Electrical Installation

6. Take care not to pull any electrical wires during unpacking as this may damage the connection.
7. Lay out all the components on a smooth surface and make sure there are no components missing before assembling.
8. To avoid injury or damage to the fitting, please ensure that power leads and screws are secure before connecting the power.
9. Please keep instructions for future reference.

IC-F Installation Instruction (Downlights under 13W)



Rear of fitting may abut structural members and building elements. Do not install through or directly into joist, beam, rafter or ceiling batten.

Side Clearance from heatsink to building element (e.g. timber, joist or batten) - SCB	25 mm
Height Clearance from heatsink to building element (e.g. timber, joist or batten) - HCB	25 mm
Minimum insulation clearance to building element - MIC	0 mm

Recessed luminaires and their associated equipment may pose a risk of fire or damage to property if not installed and maintained correctly. Novii recommends a clearance of 25mm to building elements for optimum lifespan.

This data sheet contains information necessary to ensure compliance with the New Zealand Electrical Code of Practice for Installation and Maintenance of Recessed Luminaires and Associated Equipment AS/NZS 60598.2.2:2001

Product Size

SKU	G2-CIP1	G2-CIP2	G2-CIP3	G2-CIP4	G2-CIP5
Size (mm)	Ø 95x46	Ø 110x51	Ø 64x150	Ø 69x172	Ø 81x235
Cut Size (mm)	Ø 83	Ø 92	Ø 127	Ø 152	Ø 202

IP rating table: Before installation, please check the IP label on the luminaire to choose the right place to install.

IP65	Suitable for outdoor areas, not suitable for water immersion. It can be used in both indoor and outdoor area, such as studios that need to be cleaned and damp, food processing plants, farm, indoor swimming pools, eaves, outdoor aisles, seaside buildings, etc.
------	---

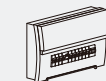
Dimmer selection table: Before installation, please check the information of driver as below .

Non-dim	Can not be used with any dimmer .
Triac dim	Compliable with recommended TRIAC dimmers, dimming range 8-100%.
O/1-10V	Only work with O/1-10V dimming system, dimming range 8-100%.
DALI	Only work with DALI dimming system, dimming range 1-100%.

Installation Procedure

WARNING ⚡

1. Switch off before installation.
2. Switch on only after complete installation and examination of the circuit.
3. Professional electrician for installation and maintenance only .



Downlight with external driver (AB)

