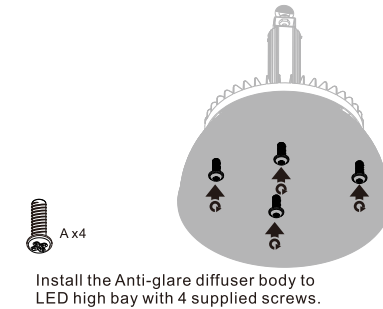
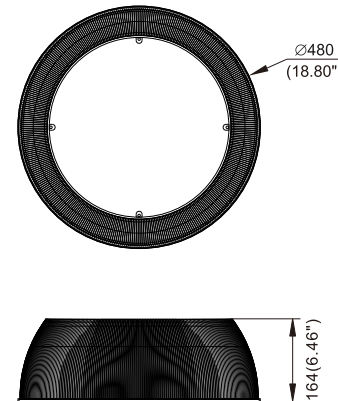
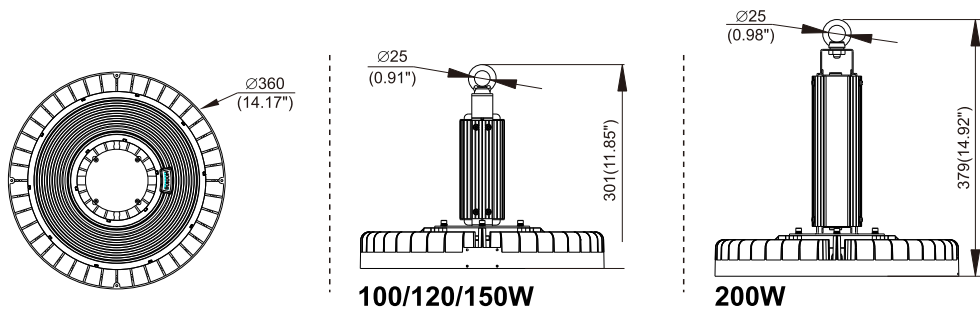


Installation Instructions Elevate Highbay

Product information

The Novii Elevate Highbay is a fixture that can be suspended or surface mounted to suit most projects. Highly reliable and cost effective.

Installation steps



Note : Please check highbay label to see if fitting is dimmable and if so which type of dimming. Available in Non-dim, 1-10V and DALI options.

Regulations

To ensure correct functionality and safety please read instructions carefully before using this product. This luminaire complies with AS/NZS 60598.2.1.

All wiring and installation of this luminaire must adhere to local and national wiring rules eg AS/NZS 3000:2007 Amendment 2:2012 Electrical Installation

TIPS

1. Always ensure power is off and the fitting has cooled down before performing any maintenance or adjustment to the fitting
2. To avoid injury or damage to the fitting, ensure that power leads and screws are secure before connecting the power
3. Handle the fitting with care to avoid breakage
4. Find a suitable location away from liquids or hazards
5. To clean, wipe with a damp clean cloth. Never soak the fitting with water.

