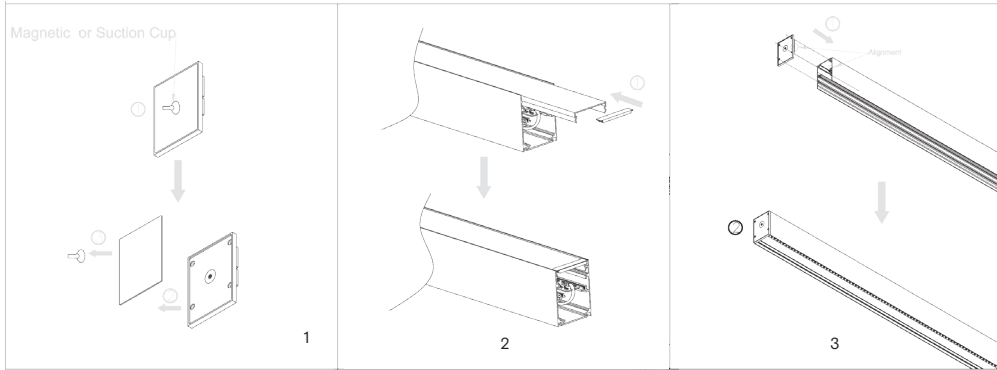


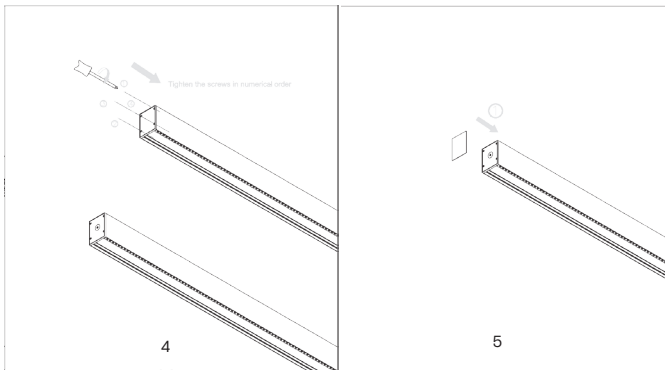
■ End caps [T2-NECOP / T2-NECAO / T2-NECROP / T2-NECRAO]



1. Use magnet or suction cup to pull end cap cover away

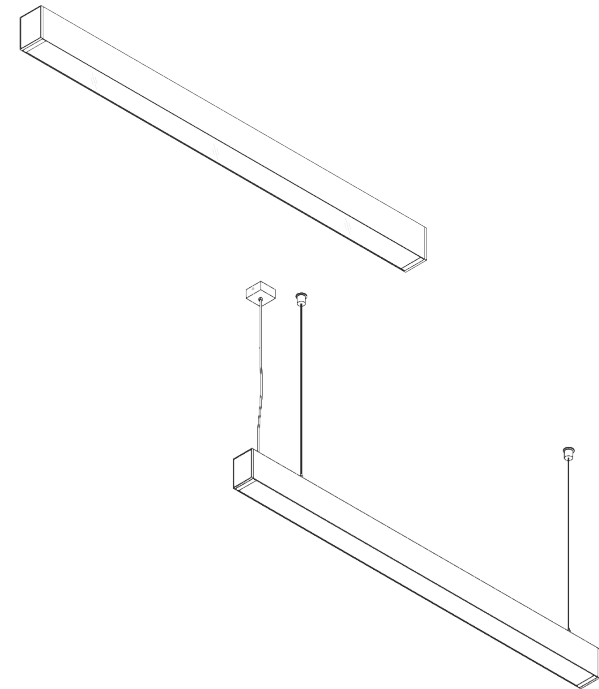
2. For T2-NECOP and T2-NECROP install end cap blanking plate to end of diffuser  
*Note: for all other Nixon optic types no blanking plate is necessary*

3. Push end cap onto end of Nixon profile, the end cap blanking plate will snap into place against the end cap.



4. Screw end cap to Nixon profile making sure rubber seal in end cap is tight against Nixon profile end

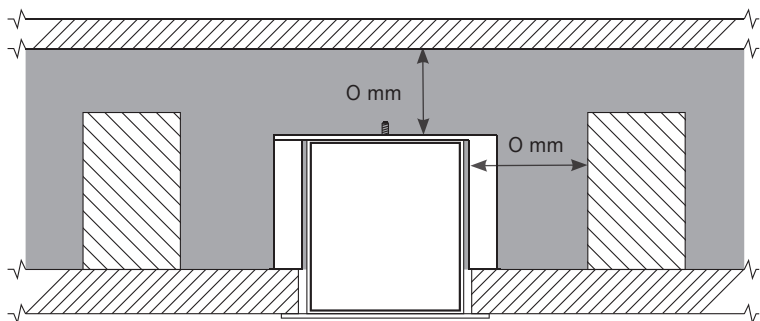
5. Put end cap cover back on end cap



**Safety Instruction:**

1. Turn off power before installation or before doing any maintenance work.
  2. Do not install any luminaire near a heat source.
  3. For Indoor use.
  4. Do not exceed the nominal supply voltage or amperage ratings.
  5. All wiring and installation of this luminaire must adhere to local and national wiring rules eg AS/NZS 3000:2007 Amendment 2:2012
- Electrical Installation
6. Take care not to pull any electrical wires during unpacking as this may damage the connection.
  7. Lay out all the components on a smooth surface and make sure there are no components missing before assembling.
  8. To avoid injury or damage to the fitting, please ensure that power leads and screws are secure before connecting the power.
  9. Please keep instructions for future reference.

**Recessed [T2-RP]**



Rear of fitting may abut structural members and building elements. Do not install through or directly into joist, beam, rafter or ceiling batten.

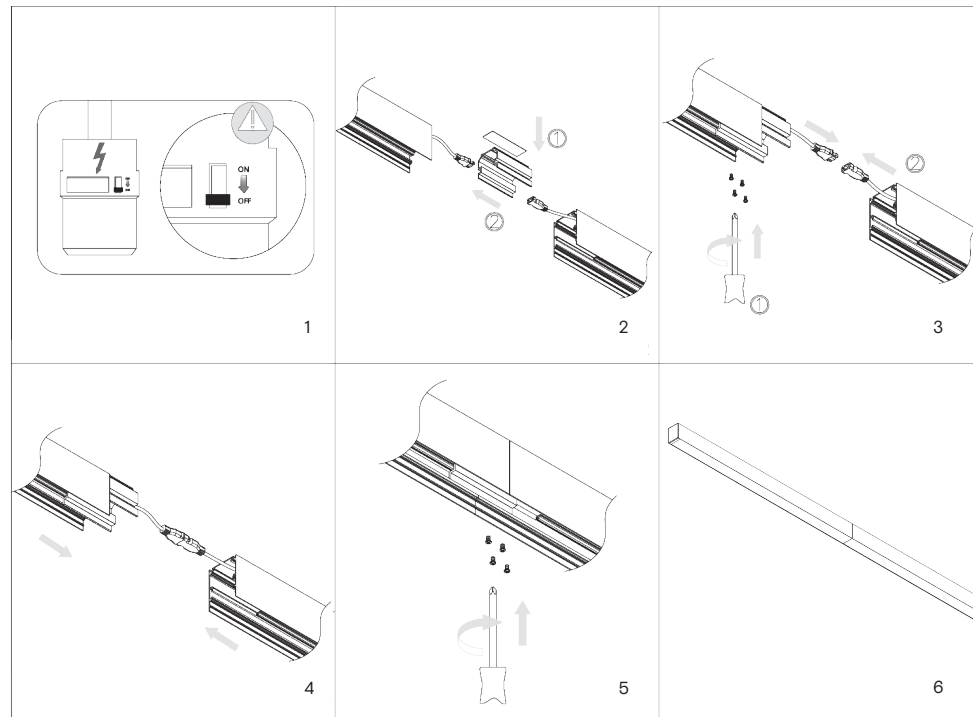
Side Clearance from heatsink to building element (e.g. timber, joist or batten) - SCB	0 mm
Height Clearance from heatsink to building element (e.g. timber, joist or batten) - HCB	0 mm
Minimum insulation clearance to building element - MIC	0 mm



Recessed luminaires and their associated equipment may pose a risk of fire or damage to property if not installed and maintained correctly. Novii recommends a clearance of 0mm to building elements for optimum lifespan.

This data sheet contains information necessary to ensure compliance with the New Zealand Electrical Code of Practice for Installation and Maintenance of Recessed Luminaires and Associated Equipment AS/NZS 60598.2.2:2001

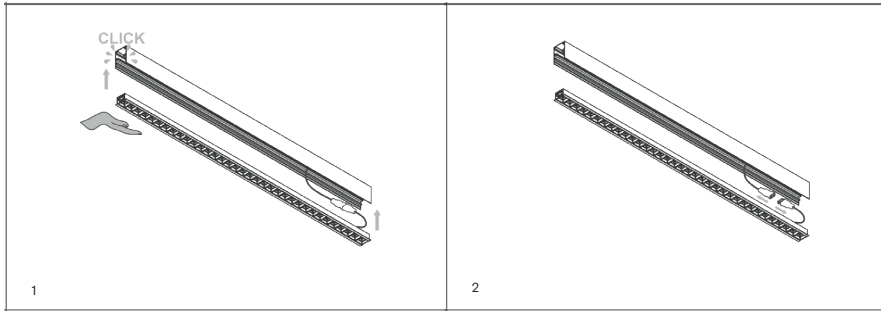
**Linking Instruction**



1. Turn power off
2. Slide T2-NSCD or T2-NSCI halfway into profile
3. Tighten screws with a Philips screwdriver. Plug power and dimming connectors together.
4. Slide both profiles together
5. Tighten screws with a Philips screwdriver
6. Linking complete

## Daisy Optic [T2-DT8x-B]

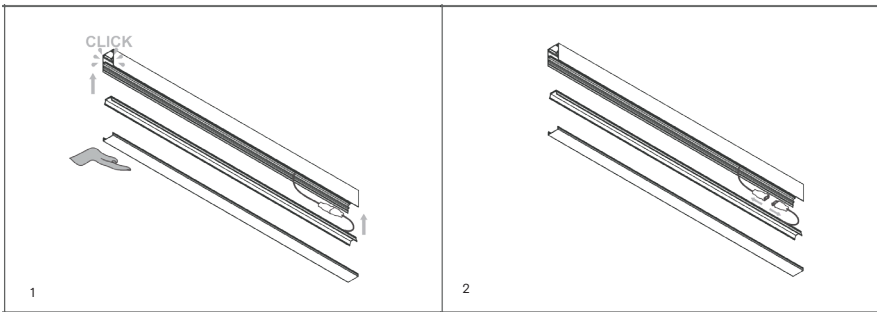
x = Selected CCT



1. Plug light engine into driver.  
Install T2-DT8x-B into Nixon profile by pushing firmly.

2. Reverse assembly instructions (1) to disassemble

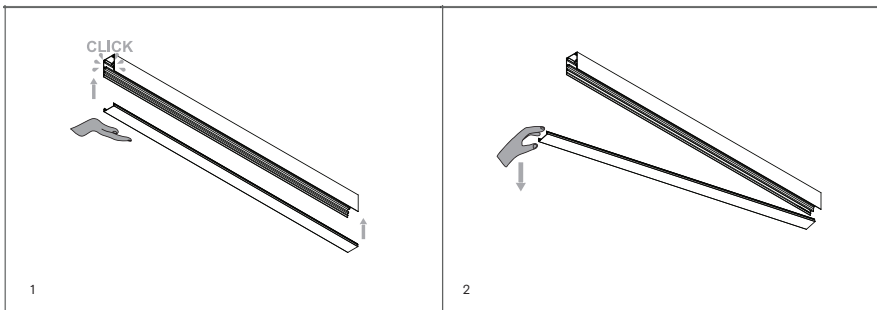
## Tuneable White [T2-T8TW]



1. Plug light engine into driver.  
Make sure CW and WW cables correlate.  
Install T2-T8TW into Nixon profile by pushing firmly.  
Clip Optic into place. (See optic installation diagrams.)

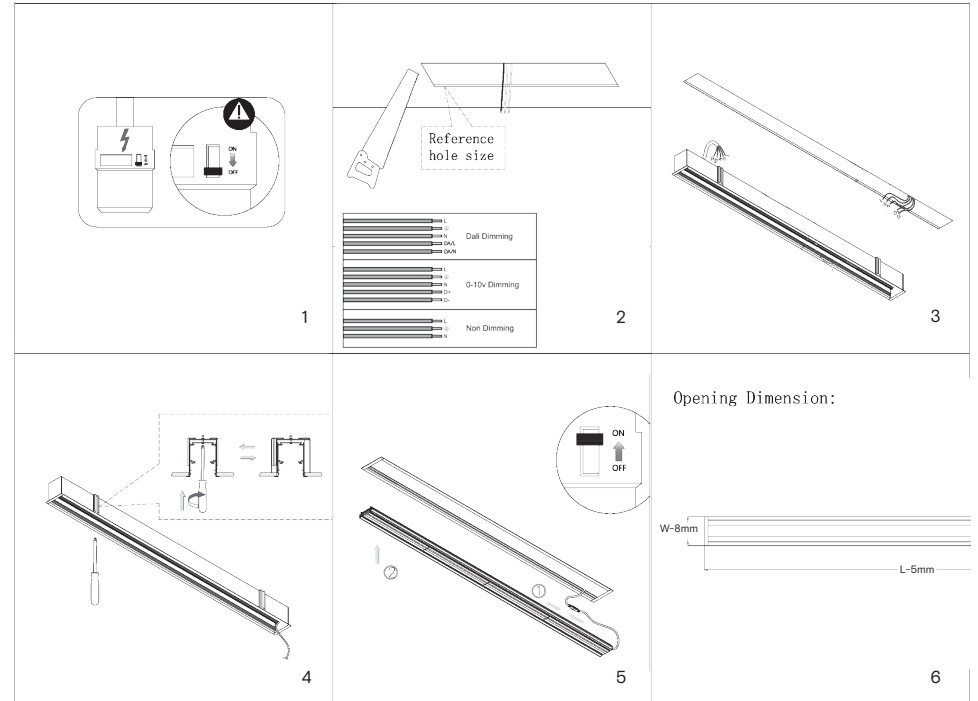
2. Reverse assembly instructions (1) to disassemble

## Blanking Plate [T2-NBP]



1. Install T2-NBP into Nixon profile by pushing firmly

2. Reverse assembly instructions (1) to disassemble



1. Disconnect power

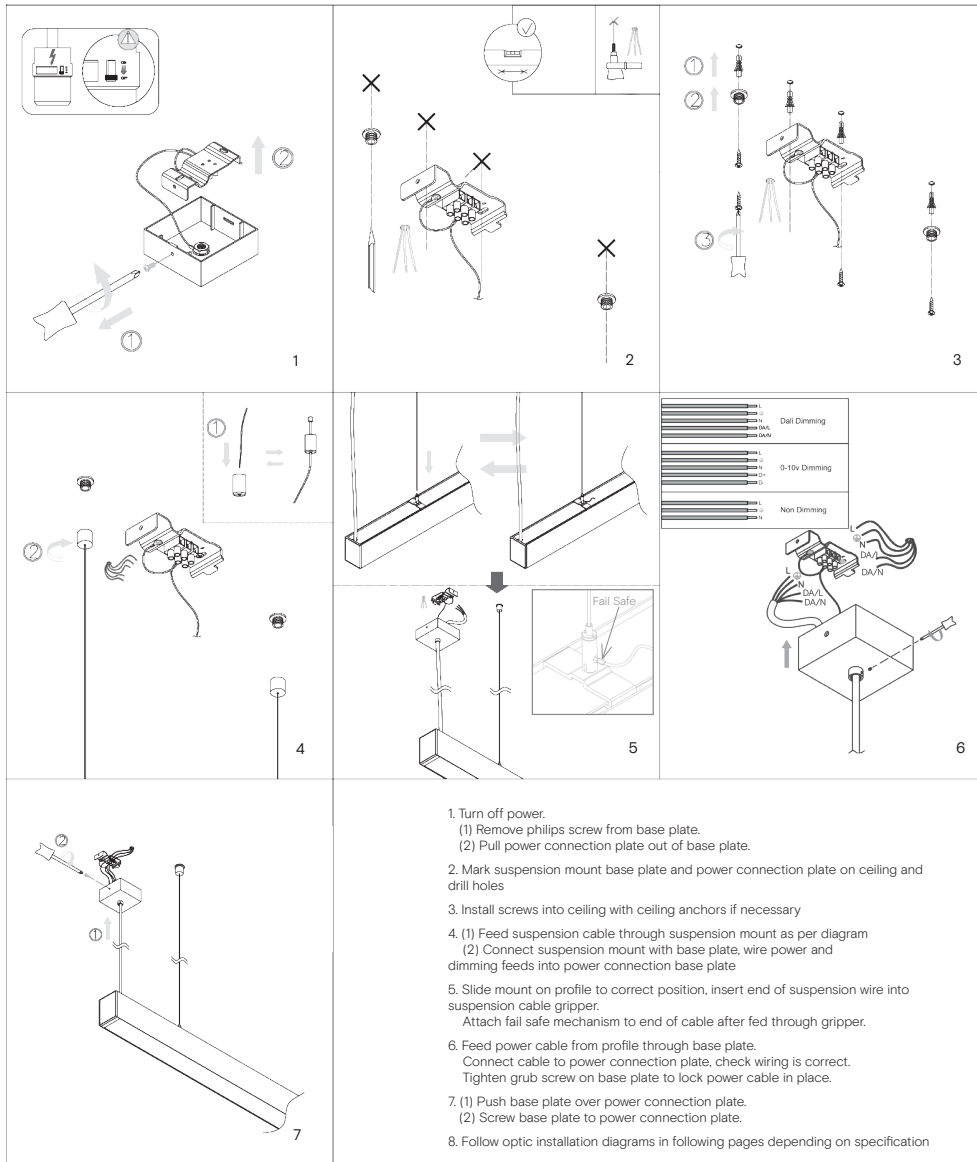
2. To calculate cut-out size measure total length and width then subtract 5mm for length and 8 mm for width.

3. Connect power and dimming cables. Push profile into hole.  
Make sure steel clips are flat against profile body.

4. Use a Philips screwdriver to tighten steel clips until profile is anchored to ceiling

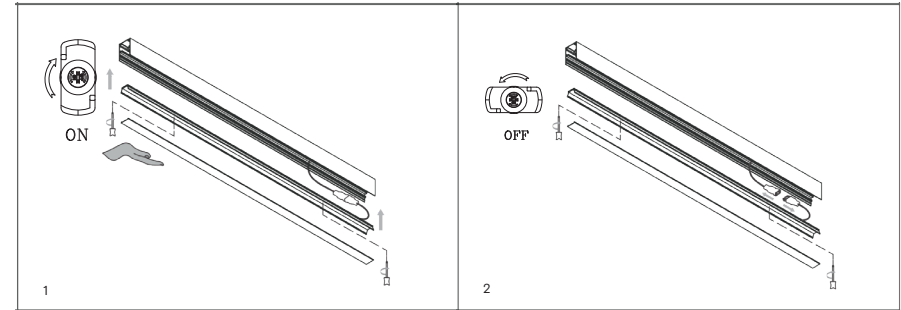
5. Follow optic installation diagrams in following pages depending on specification

## Cable Suspended [T2-P]



## Opal/Prismatic Optic [T2-OOD / T2-OPD]

x = Selected CCT

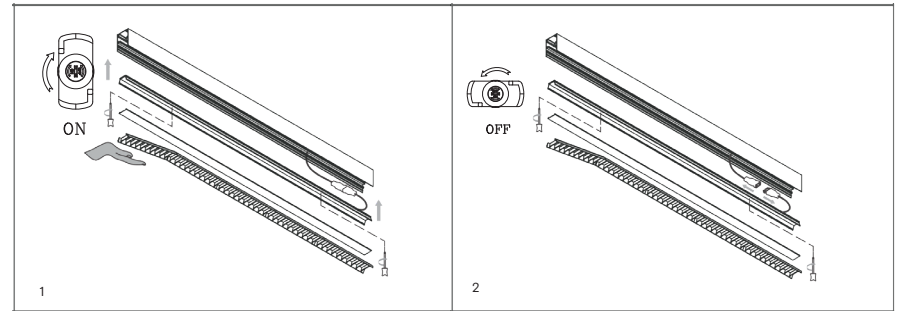


1. Plug light engine into driver.  
 Install T2-T8x-OP into Nixon profile using flat head screwdriver  
 and turning locking mechanism to ON.  
 Install T2-OOD or T2-OPD into Nixon profile.

2. Reverse assembly instructions (1) to disassemble

## Honeycomb/ Louvre Optic [T2-OHC / T2-OLD]

x = Selected CCT

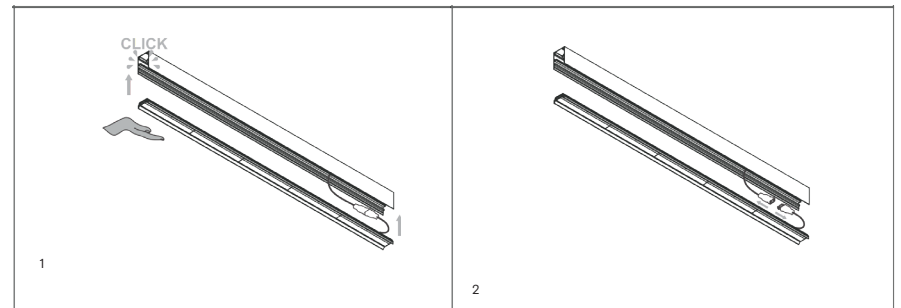


1. Plug light engine into driver.  
 Remove diffuser from T2-T8x-HL.  
 Install T2-T8x-HL into Nixon profile using flat head screwdriver  
 and turn locking mechanism to ON.  
 Install diffuser into Nixon profile.  
 Clip T2-OHC or T2-OLD into profile.

2. Reverse assembly instructions (1) to disassemble

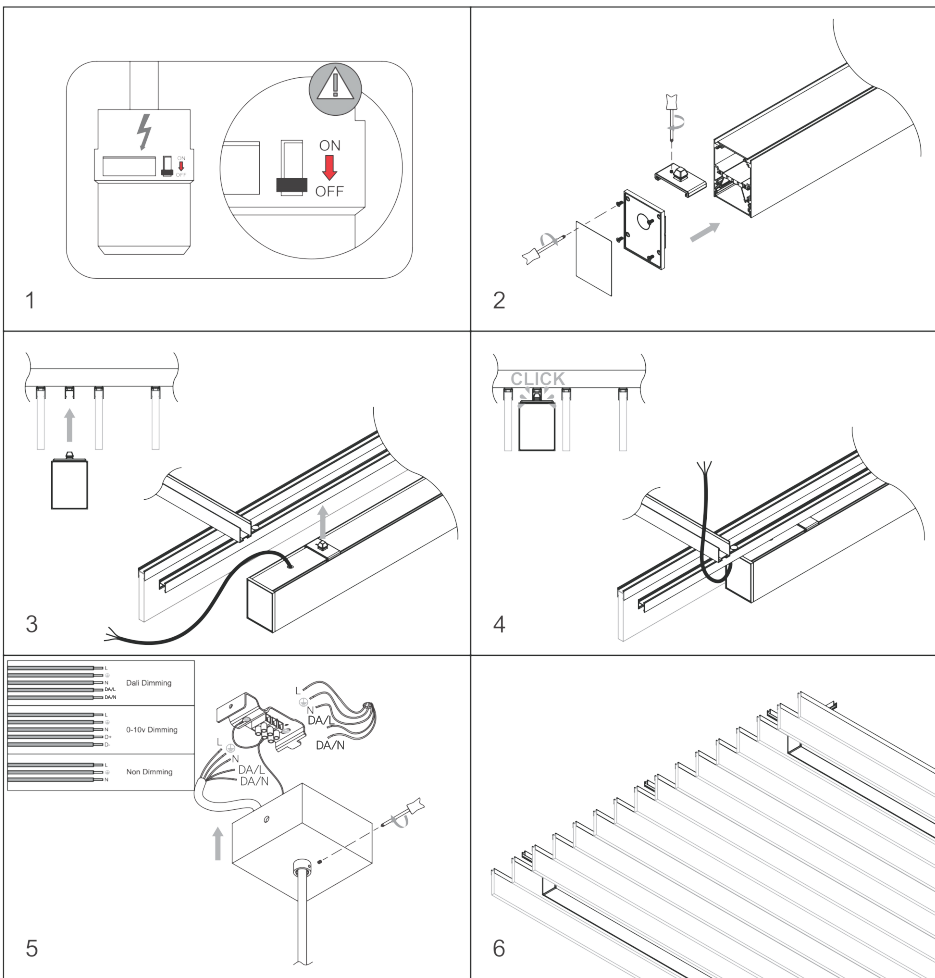
## Lens Optic [T2-OLL]

x = Selected CCT

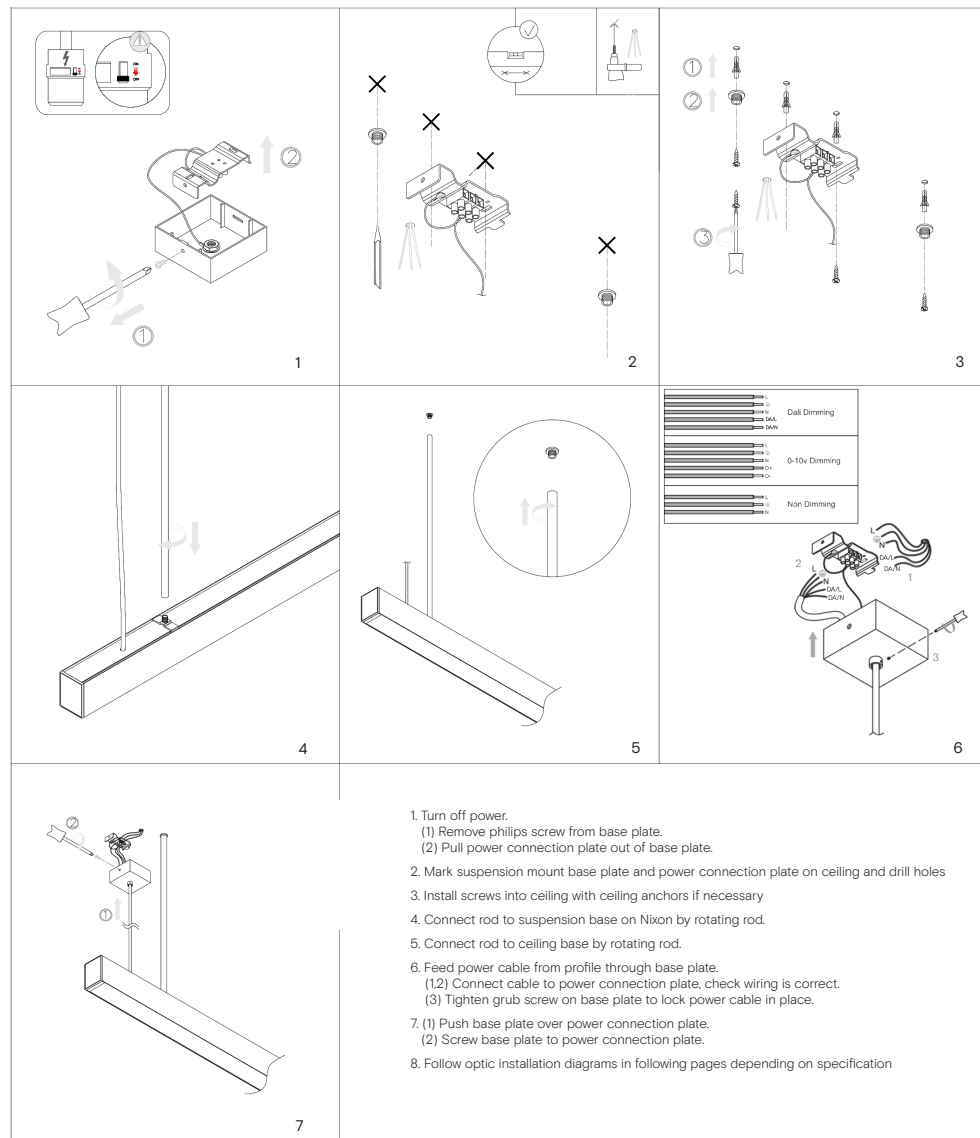


1. Plug light engine into driver.  
 Install T2-OLL into Nixon profile by pushing firmly

2. Reverse assembly instructions (1) to disassemble

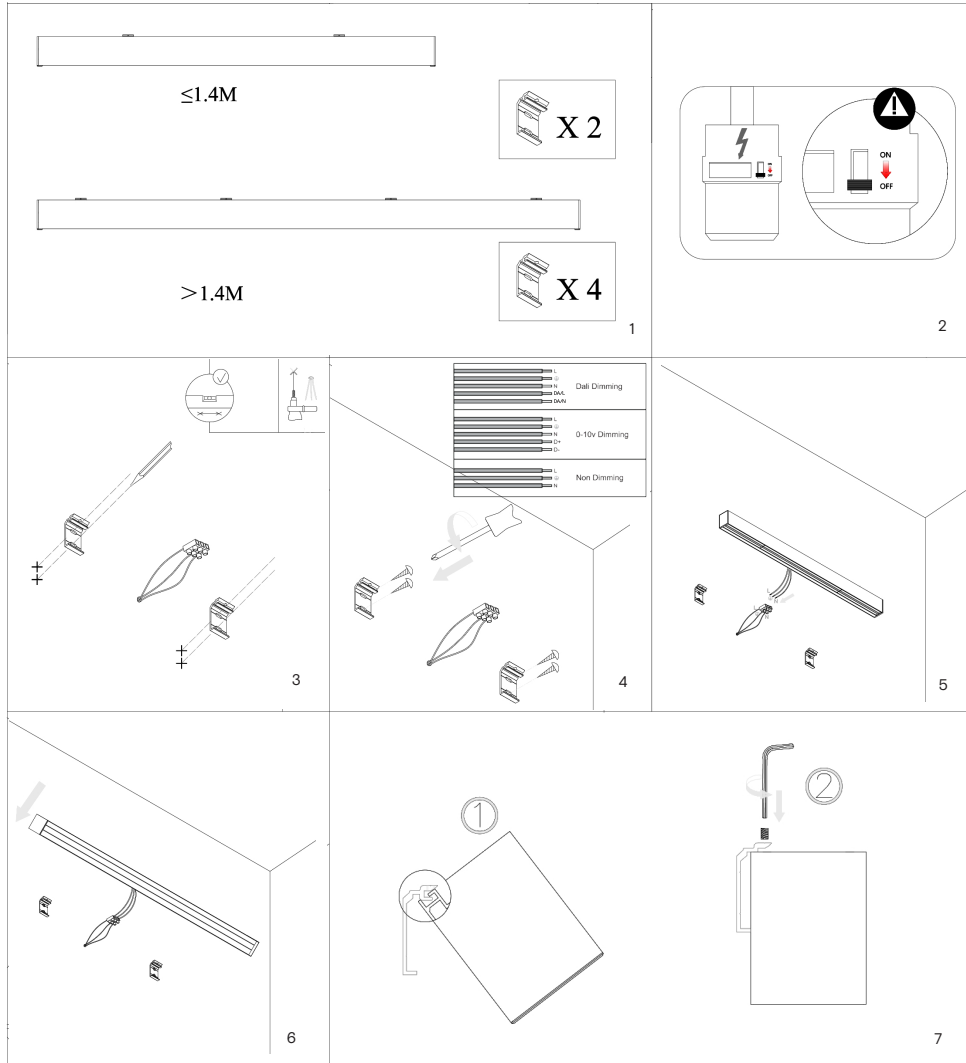


1. Turn power off
2. Install Autex mounting clip into back of profile. Slide to correct position
3. Install Nixon into Autex support rail by pushing firmly.
4. Make sure a click is heard. This is the sound of both sides of the clip connecting to the support rail
5. Wire cable from Nixon into base plate. See part of base plate and power connection in suspension installation diagram for detailed install instructions.
6. Follow optic installation diagrams in following pages depending on specification



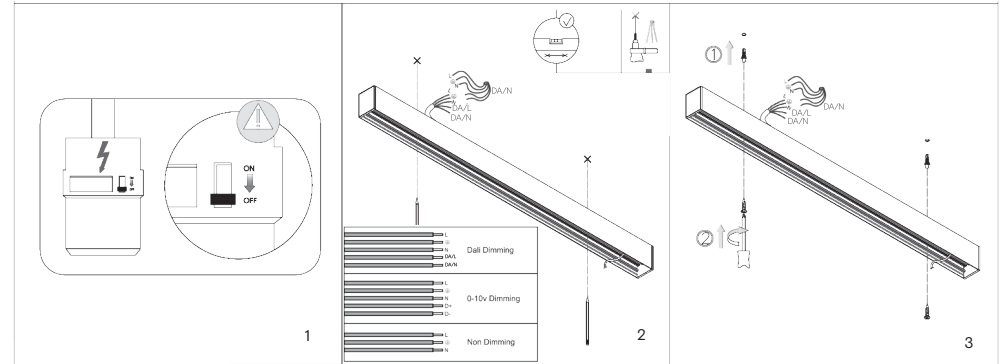
1. Turn off power.
  - (1) Remove philips screw from base plate.
  - (2) Pull power connection plate out of base plate.
2. Mark suspension mount base plate and power connection plate on ceiling and drill holes
3. Install screws into ceiling with ceiling anchors if necessary
4. Connect rod to suspension base on Nixon by rotating rod.
5. Connect rod to ceiling base by rotating rod.
6. Feed power cable from profile through base plate.
  - (1,2) Connect cable to power connection plate, check wiring is correct.
  - (3) Tighten grub screw on base plate to lock power cable in place.
7. (1) Push base plate over power connection plate.
  - (2) Screw base plate to power connection plate.
8. Follow optic installation diagrams in following pages depending on specification

## Wall mounted [T2-P]



1. Allow for two clips below or equal to 1400mm, 4 clips above >1400mm.
2. Turn off power.
3. Mark Wall clip drilling locations. Allow for power and dimming cables to centre of Nixon profile.
4. Install Wall Clips with provided Philips screws. Make sure firmly attached to wall.
5. Connect Nixon to power and dimming cables.
6. Locate Nixon on angle to the clips.
7. (1) Make sure Wall clip prong sits inside channel on the back of Nixon as per point 1.  
(2) Angle Nixon down so it sits against wall clip, lock into place with provided grub screw.
8. Follow optic installation diagrams in following pages depending on specification

## Surface mounted [T2-P]



1. Turn power off
2. Drill holes in ceiling and Nixon to mount Nixon profile. Either pull cable through power cable hole of Nixon or connect in ceiling. Check wiring is correct.
3. Insert anchors if required into ceiling. Screw Nixon to ceiling. Make sure is anchored firmly.
4. Follow optic installation diagrams in following pages depending on specification