

# grace

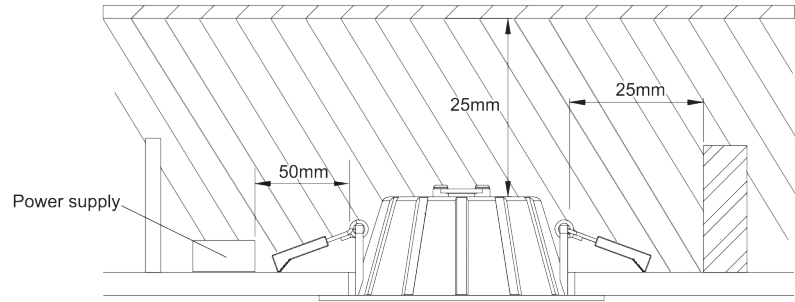
THRIVE Optical Installation Manual



## Safety Instructions

1. Turn off power before installation or before doing any maintenance work.
2. Do not install any luminaire near a heat source.
3. For Outdoor and Indoor use.
4. Do not exceed the nominal supply voltage or amperage ratings.
5. All wiring and installation of this luminaire must adhere to local and national wiring rules eg AS/NZS 3000:2007 Amendment 2:2012 Electrical Installation
6. Take care not to pull any electrical wires during unpacking as this may damage the connection.
7. Lay out all the components on a smooth surface and make sure there are no components missing before assembling.
8. To avoid injury or damage to the fitting, please ensure that power leads and screws are secure before connecting the power.
9. Please keep instructions for future reference.

## IC-F Installation Instruction



Rear of fitting may abut structural members and building elements. Do not install through or directly into joist, beam, rafter or ceiling batten.

Side Clearance from heatsink to building element (e.g. timber, joist or batten) - SCB	0 mm
Height Clearance from heatsink to building element (e.g. timber, joist or batten) - HCB	0 mm
Minimum insulation clearance to building element - MIC	0 mm



Recessed luminaires and their associated equipment may pose a risk of fire or damage to property if not installed and maintained correctly. Novii recommends a clearance of 25mm to building elements for optimum lifespan.

This data sheet contains information necessary to ensure compliance with the New Zealand Electrical Code of Practice for Installation and Maintenance of Recessed Luminaires and Associated Equipment AS/NZS 60598.2.2:2001

## Installation Procedure

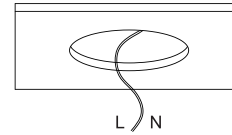
### WARNING

1. Switch off before installation.
2. Switch on only after complete installation and examination of the circuit.
3. Professional electrician for installation and maintenance only.

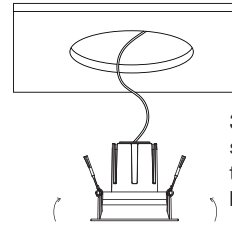


Turn Off power supply before starting any installation. Read instructions & check you have all the tools & accessories to complete the installation correctly.

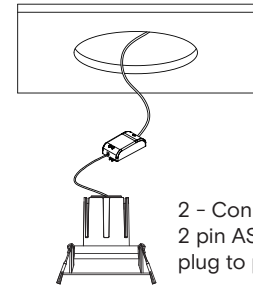
## Downlight with external driver



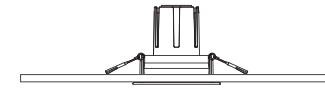
- 1 - Cut out the hole in the ceiling (see table for cutout size) Find the power cable to connect the lamp



- 3 - Hold back the spring clips then push the downlight into the hole



- 2 - Connect the 2 pin AS/NZS plug to power



- 4 - Make sure the downlight is fixed tightly in the ceiling. Turn on power

Model SKU	Diameter (mm)	Cutout (mm)	IP rating
G2-TO12P	88	75	20
G2-TO12GR	88	75	20
G2-TO12SP	88	75	20
G2-TO12SW	88	75	20
G2-TO12RAW	105	90	20
G2-TO12RA	82	70	20
G2-TO12SA	82	70	20
G2-TO12R	88	75	54