

# grace

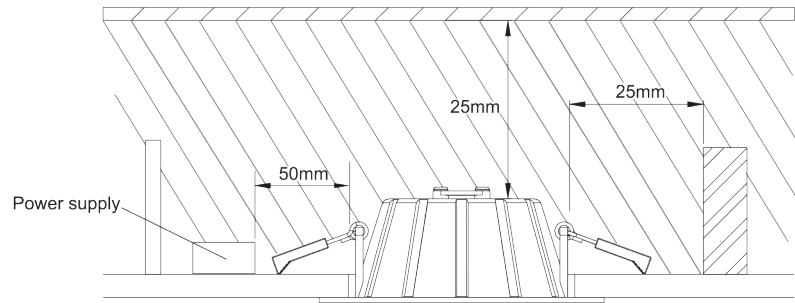
THRIVE Gyro Installation Manual



## Safety Instructions

1. Turn off power before installation or before doing any maintenance work.
2. Do not install any luminaire near a heat source.
3. For Indoor use.
4. Do not exceed the nominal supply voltage or amperage ratings.
5. All wiring and installation of this luminaire must adhere to local and national wiring rules eg AS/NZS 3000:2007 Amendment 2:2012 Electrical Installation
6. Take care not to pull any electrical wires during unpacking as this may damage the connection.
7. Lay out all the components on a smooth surface and make sure there are no components missing before assembling.
8. To avoid injury or damage to the fitting, please ensure that power leads and screws are secure before connecting the power.
9. Please keep instructions for future reference.

## IC-F Installation Instruction (Downlights under 13W)



Rear of fitting may abut structural members and building elements. Do not install through or directly into joist, beam, rafter or ceiling batten.

Side Clearance from heatsink to building element (e.g. timber, joist or batten) - SCB	0 mm
Height Clearance from heatsink to building element (e.g. timber, joist or batten) - HCB	0 mm
Minimum insulation clearance to building element - MIC	0 mm



Recessed luminaires and their associated equipment may pose a risk of fire or damage to property if not installed and maintained correctly. Novii recommends a clearance of 25mm to building elements for optimum lifespan.

This data sheet contains information necessary to ensure compliance with the New Zealand Electrical Code of Practice for Installation and Maintenance of Recessed Luminaires and Associated Equipment AS/NZS 60598.2.2:2001

Note : Above 13W, Downlights are Non-IC



## Installation Procedure

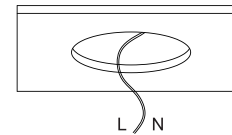
### WARNING

1. Switch off before installation.
2. Switch on only after complete installation and examination of the circuit.
3. Professional electrician for installation and maintenance only.

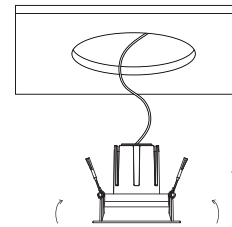


Turn Off power supply before starting any installation. Read instructions & check you have all the tools & accessories to complete the installation correctly.

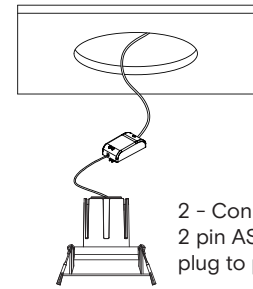
## Downlight with external driver



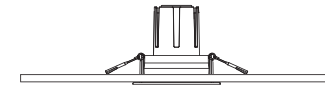
- 1 - Cut out the hole in the ceiling (see table for cutout size) Find the power cable to connect the lamp



- 3 - Hold back the spring clips then push the downlight into the hole



- 2 - Connect the 2 pin AS/NZS plug to power



- 4 - Make sure the downlight is fixed tightly in the ceiling. Turn on power

Model SKU	Diameter (mm)	Cutout (mm)	IP rating
G2-TP12RA	90	80	20
G2-TP12SA	90x90	80	20
G2-T2P12RA	90x175	80x165	20
G2-TP24RA	110	95	20
G2-TP24SA	110x110	95	20
G2-T2P24RA	110x220	95x205	20
G2-TP33RA	130	115	20
G2-TP33SA	130x130	115	20
G2-T2P33RA	130x260	115x245	20