

grace

SILHOUETTE Blade Installation Manual



grace

Safety Instructions

1. Turn off power before installation or before doing any maintenance work.
2. Do not install any luminaire near a heat source.
3. For Indoor use.
4. Do not exceed the nominal supply voltage or amperage ratings.
5. All wiring and installation of this luminaire must adhere to local and national wiring rules eg AS/NZS 3000:2007 Amendment 2:2012

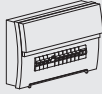
Electrical Installation

6. Take care not to pull any electrical wires during unpacking as this may damage the connection.
7. Lay out all the components on a smooth surface and make sure there are no components missing before assembling.
8. To avoid injury or damage to the fitting, please ensure that power leads and screws are secure before connecting the power.
9. Please keep instructions for future reference.

Installation Procedure

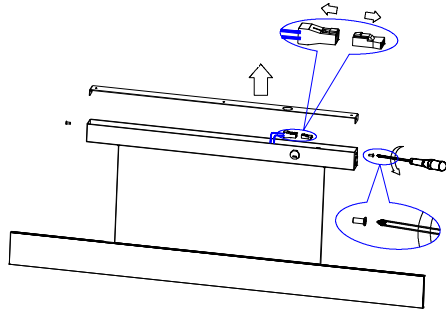
WARNING

1. Switch off before installation.
2. Switch on only after complete installation and examination of the circuit.
3. Professional electrician for installation and maintenance only.

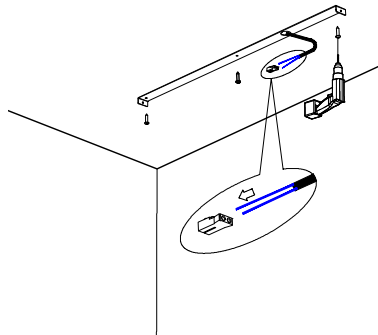


Turn Off power supply before starting any installation. Read instructions & check you have all the tools & accessories to complete the installation correctly.

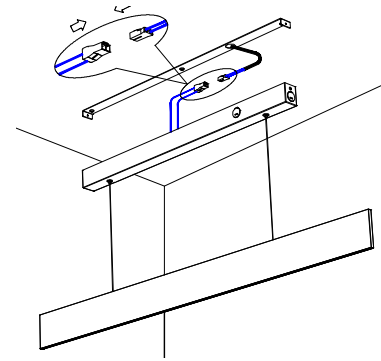
How to install



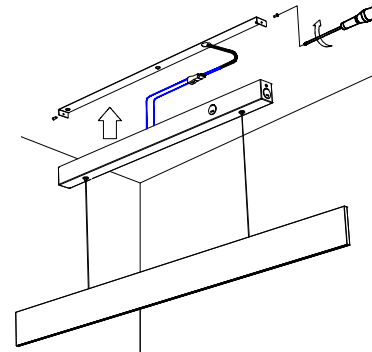
1 - Loosen the cover and take down the male plug



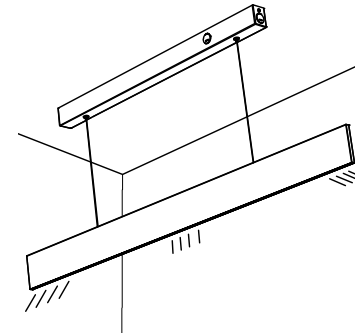
2 - Mount the cover to the ceiling and put the cable into the male plug



3 - Connect wires



4 - Install the lamp body



5 - Installation complete