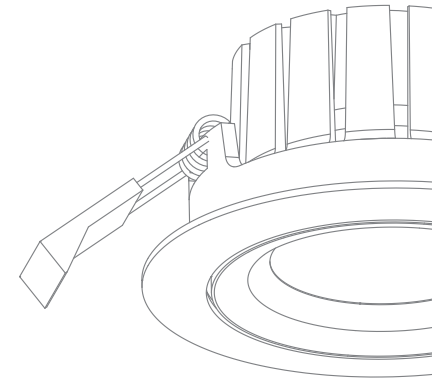


# grace

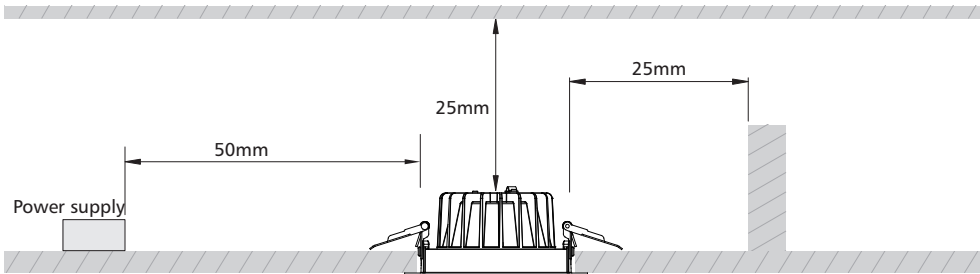
## COMPOSE Lens/ Adjustable Installation Manual



## Safety Instruction:

1. Turn off power before installation or before doing any maintenance work.
  2. Do not install any luminaire near a heat source.
  3. For Outdoor and Indoor use.
  4. Do not exceed the nominal supply voltage or amperage ratings.
  5. All wiring and installation of this luminaire must adhere to local and national wiring rules eg AS/NZS 3000:2007 Amendment 2:2012
- Electrical Installation
6. Take care not to pull any electrical wires during unpacking as this may damage the connection.
  7. Lay out all the components on a smooth surface and make sure there are no components missing before assembling.
  8. To avoid injury or damage to the fitting, please ensure that power leads and screws are secure before connecting the power.
  9. Please keep instructions for future reference.

## IC-F Installation Instruction (Downlights under 13W)



Do Not install through or directly onto joist, beam, rafter or ceiling batten  
Drivers must not be installed under insulation

Side Clearance from heatsink to building element (e.g. timber, joist or batten) - SCB	25 mm
Height Clearance from heatsink to building element (e.g. timber, joist or batten) - HCB	25 mm
Minimum insulation clearance to building element - MIC	0 mm

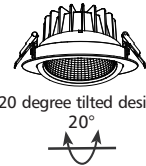
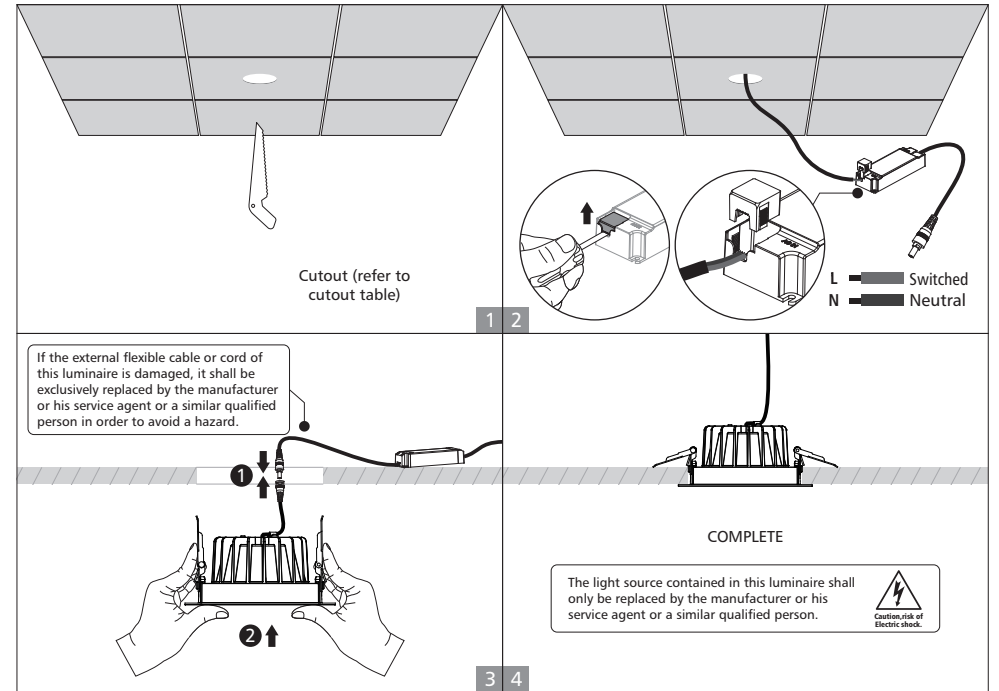


Note : Above 13W, Downlights are Non-IC

Recessed luminaires and their associated equipment may pose a risk of fire or damage to property if not installed and maintained correctly. Novii recommends a clearance of 25mm to building elements for optimum lifespan.

This data sheet contains information necessary to ensure compliance with the New Zealand Electrical Code of Practice for Installation and Maintenance of Recessed Luminaires and Associated Equipment AS/NZS 60598.2.2:2001

## Installation Procedure



20 degree tilted design  
20°

Model SKU	Diameter (mm)	Cutout (mm)	IP rating
G2-C1L	95	82-88	54
G2-C2L	110	90-95	54
G2-C3L	145	125-135	54
G2-C4L	172	150-165	54
G2-C5L	228	200-210	54
G2-C1A	110	90-95	54
G2-C2A	120	100-110	54
G2-C3A	160	140-150	54