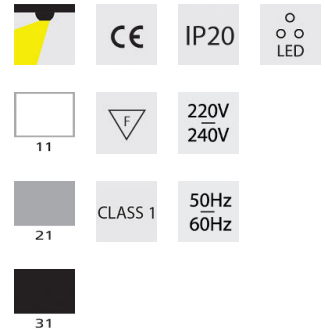
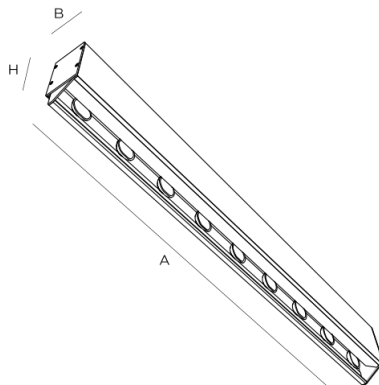
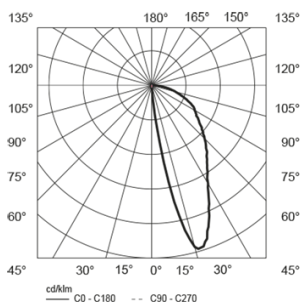


## PRIMA S WW 900 /840



OC ECG **	Socket	A/B/H[mm]	a/b/h[mm]	Weight [kg]	Flux [lm]*	Total power [W]
2320111	LED	846/60/136	-	2.80	2081	19.0



CCT	4000 K
CRI	>80
LED Service life	50000h L80B10 /SCDM3

**GENERAL** High efficiency surface mounted luminaire for direct high quality illumination of office spaces.

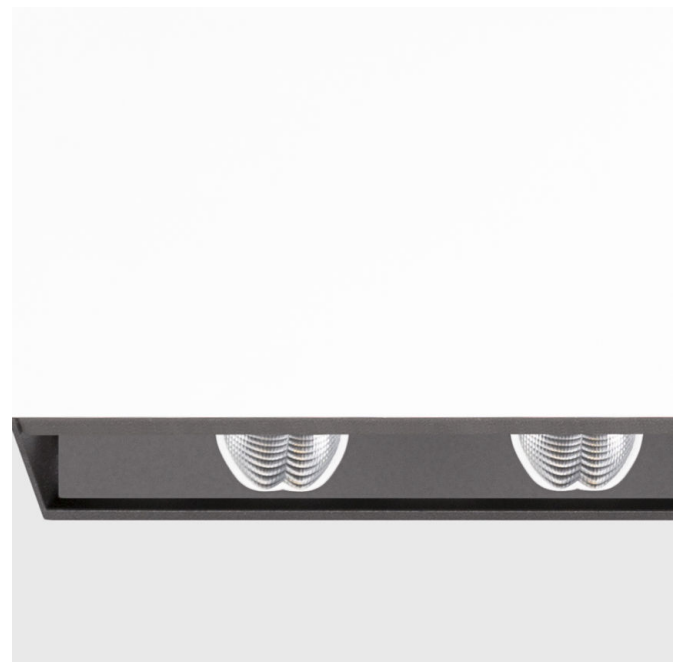
**OPTICS** Wall washing component is based on reflectors with complex surfaces micro facet technology. The reflectors ensure high uniformity in lighting distribution on plane with characteristic elongation in vertical direction. Precise cut off eliminating glare in adjacent areas.

**LIGHTING MANAGEMENT** The choice of appropriate control gear enables integration into lighting management systems, including dynamic white function.

**HOUSING** Luminaire of extruded aluminium. Finish: anodisation in natural aluminium colour or with epoxy polyester powder coating. Fine structured texture. Other colours available upon request.

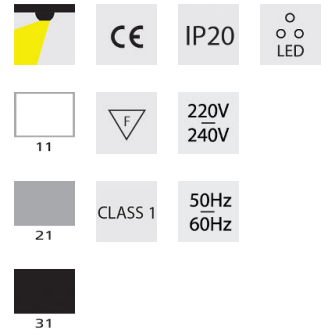
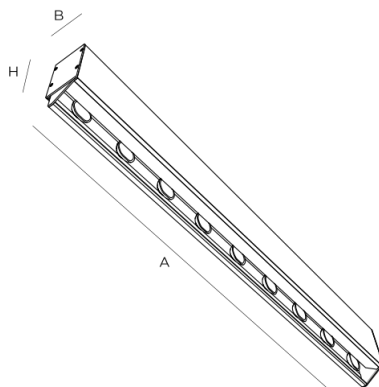
**FEATURES** Possibility to form a long linear shape adjusted to the space, in order to gain optimal light uniformity and aesthetic consistency of the interior.

**ADDITIONAL** Dynamic White and other light colour temperatures available upon request.

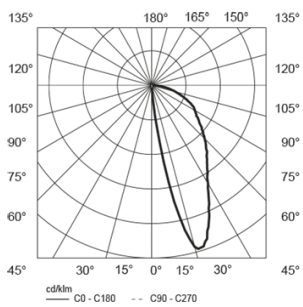


\*\* Add '-5' on ordering code for DALI control gear or  
 \*\* Add '-4' on ordering code for 1-10V control gear  
 \* Luminaire luminous flux and connected electrical load - initial tolerance of  $\pm 10\%$  (at ambient temperature of 25°C)

## PRIMA S WW 1200 /840



OC ECG **	Socket	A/B/H[mm]	a/b/h[mm]	Weight [kg]	Flux [lm]*	Total power [W]
2320121	LED	1126/60/136	-	3.60	2774	26.0



CCT	4000 K
CRI	>80
LED Service life	50000h L80B10 /SCDM3

**GENERAL** High efficiency surface mounted luminaire for direct high quality illumination of office spaces.

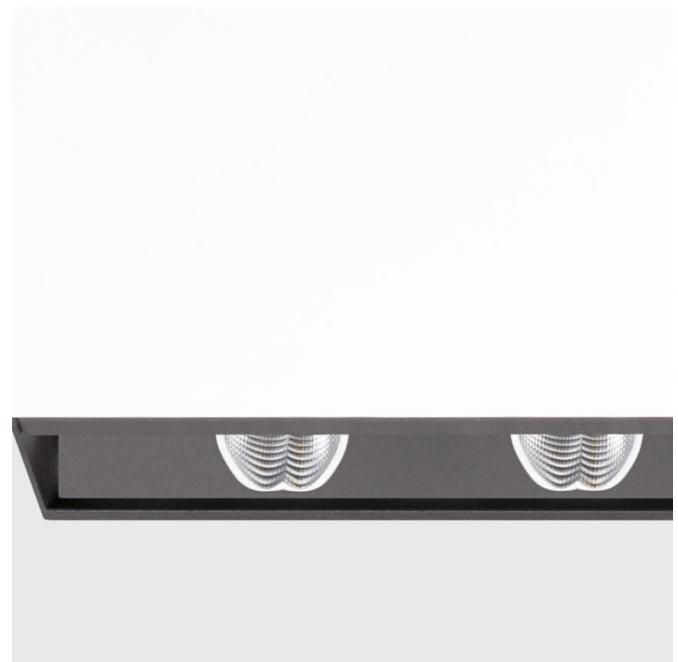
**OPTICS** Wall washing component is based on reflectors with complex surfaces micro facet technology. The reflectors ensure high uniformity in lighting distribution on plane with characteristic elongation in vertical direction. Precise cut off eliminating glare in adjacent areas.

**LIGHTING MANAGEMENT** The choice of appropriate control gear enables integration into lighting management systems, including dynamic white function.

**HOUSING** Luminaire of extruded aluminium. Finish: anodisation in natural aluminium colour or with epoxy polyester powder coating. Fine structured texture. Other colours available upon request.

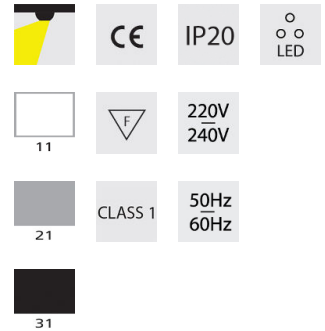
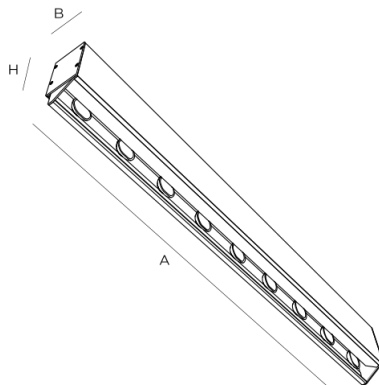
**FEATURES** Possibility to form a long linear shape adjusted to the space, in order to gain optimal light uniformity and aesthetic consistency of the interior.

**ADDITIONAL** Dynamic White and other light colour temperatures available upon request.

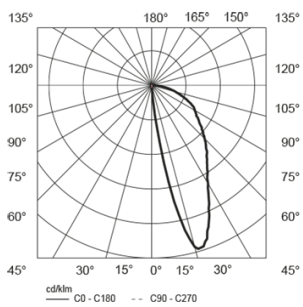


\*\* Add '-5' on ordering code for DALI control gear or  
 \*\* Add '-4' on ordering code for 1-10V control gear  
 \* Luminaire luminous flux and connected electrical load - initial tolerance of  $\pm 10\%$  (at ambient temperature of 25°C)

## PRIMA S WW 1500 /840



OC ECG **	Socket	A/B/H[mm]	a/b/h[mm]	Weight [kg]	Flux [lm]*	Total power [W]
2320131	LED	1406/60/136	-	4.30	3468	32.0



CCT	4000 K
CRI	>80
LED Service life	50000h L80B10 /SCDM3

**GENERAL** High efficiency surface mounted luminaire for direct high quality illumination of office spaces.

**OPTICS** Wall washing component is based on reflectors with complex surfaces micro facet technology. The reflectors ensure high uniformity in lighting distribution on plane with characteristic elongation in vertical direction. Precise cut off eliminating glare in adjacent areas.

**LIGHTING MANAGEMENT** The choice of appropriate control gear enables integration into lighting management systems, including dynamic white function.

**HOUSING** Luminaire of extruded aluminium. Finish: anodisation in natural aluminium colour or with epoxy polyester powder coating. Fine structured texture. Other colours available upon request.

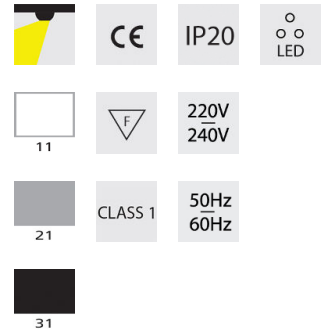
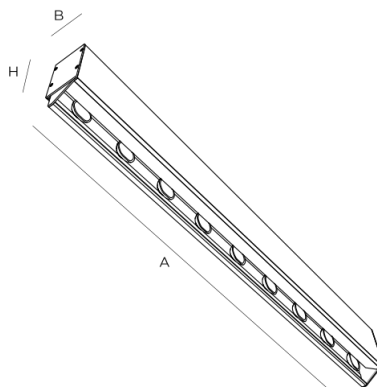
**FEATURES** Possibility to form a long linear shape adjusted to the space, in order to gain optimal light uniformity and aesthetic consistency of the interior.

**ADDITIONAL** Dynamic White and other light colour temperatures available upon request.

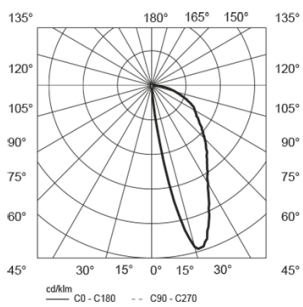


\*\* Add '-5' on ordering code for DALI control gear or  
 \*\* Add '-4' on ordering code for 1-10V control gear  
 \* Luminaire luminous flux and connected electrical load - initial tolerance of  $\pm 10\%$  (at ambient temperature of 25°C)

## PRIMA S WW 2400 /840



OC ECG **	Socket	A/B/H[mm]	a/b/h[mm]	Weight [kg]	Flux [lm]*	Total power [W]
2320141	LED	2248/60/136	-	7.00	5549	51.0



CCT	4000 K
CRI	>80
LED Service life	50000h L80B10 /SCDM3

**GENERAL** High efficiency surface mounted luminaire for direct high quality illumination of office spaces.

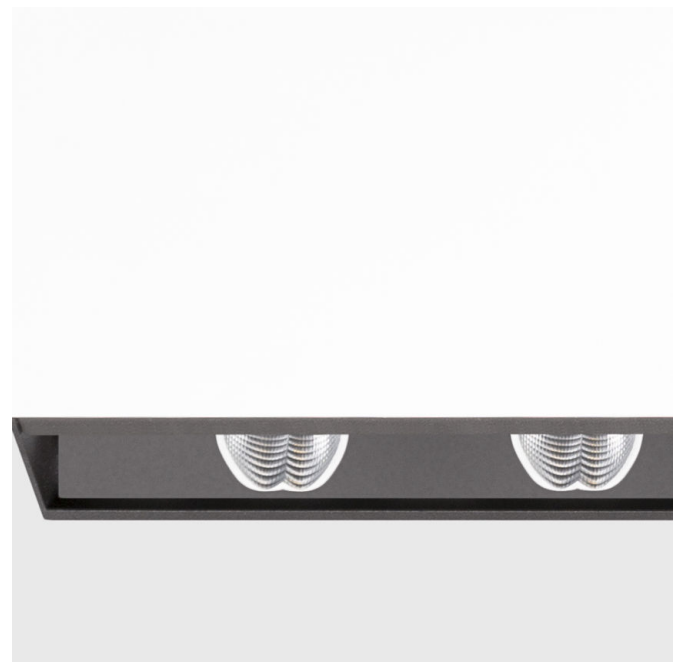
**OPTICS** Wall washing component is based on reflectors with complex surfaces micro facet technology. The reflectors ensure high uniformity in lighting distribution on plane with characteristic elongation in vertical direction. Precise cut off eliminating glare in adjacent areas.

**LIGHTING MANAGEMENT** The choice of appropriate control gear enables integration into lighting management systems, including dynamic white function.

**HOUSING** Luminaire of extruded aluminium. Finish: anodisation in natural aluminium colour or with epoxy polyester powder coating. Fine structured texture. Other colours available upon request.

**FEATURES** Possibility to form a long linear shape adjusted to the space, in order to gain optimal light uniformity and aesthetic consistency of the interior.

**ADDITIONAL** Dynamic White and other light colour temperatures available upon request.



\*\* Add '-5' on ordering code for DALI control gear or  
 \*\* Add '-4' on ordering code for 1-10V control gear  
 \* Luminaire luminous flux and connected electrical load - initial tolerance of  $\pm 10\%$  (at ambient temperature of 25°C)