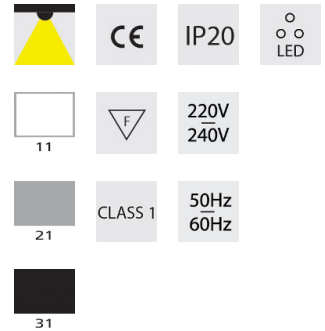
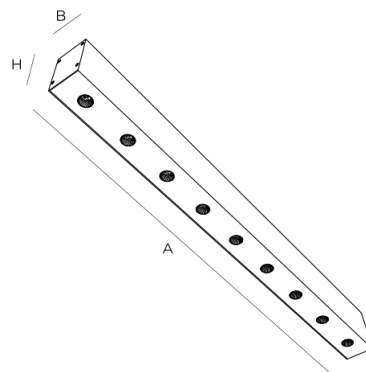
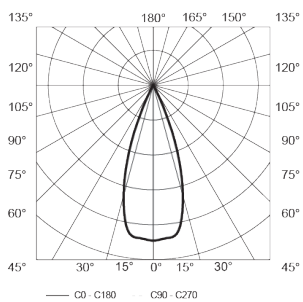


PRIMA S MD 900 35dg /840



| OC ECG ** | Socket | A/B/H[mm] | a/b/h[mm] | Weight [kg] | Flux [lm]* | ∠ | Total power [W] |
|-----------|--------|------------|-----------|-------------|------------|-----|-----------------|
| 2319111 | LED | 846/60/110 | - | 2.80 | 1949 | 35° | 18.0 |



| | |
|----------------------|-----|
| CCT | |
| 4000 K | |
| CRI | UGR |
| >80 | <6 |
| LED Service life | |
| 50000h L80B10 /SCDM3 | |

GENERAL High efficiency surface mounted luminaire for direct illumination.

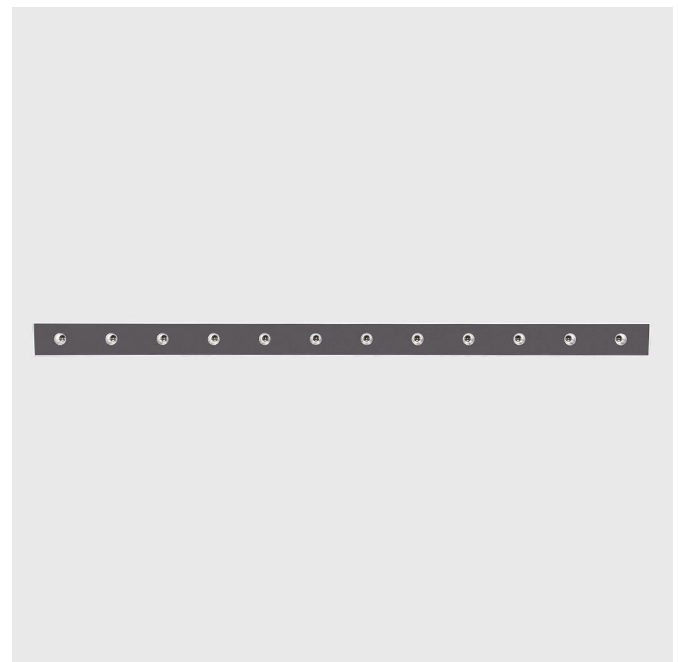
OPTICS Micro downlight reflectors with complex surfaces geometry of micro facets allow precise shaping of light beam. Angles of direct light beam and light reflected from reflector are almost perfectly aligned, providing sharp cut off for full visual comfort.

LIGHTING MANAGEMENT The choice of appropriate control gear enables integration into lighting management systems, including dynamic white function.

HOUSING Luminaire of extruded aluminium. Finish: anodisation in natural aluminium colour or with epoxy polyester powder coating. Fine structured texture. Other colours available upon request.

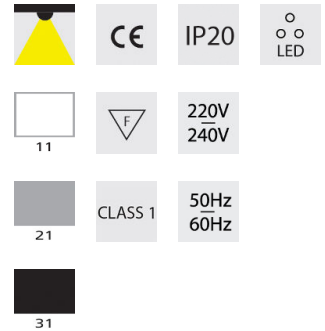
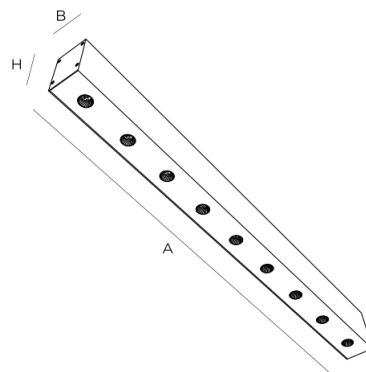
FEATURES Possibility to form a long linear shape adjusted to the space, in order to gain optimal light uniformity and aesthetic consistency of the interior.

ADDITIONAL Dynamic White and other light colour temperatures available upon request.

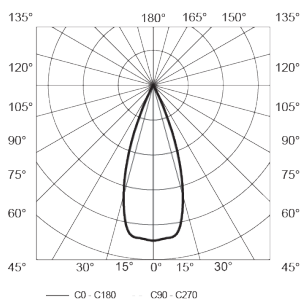


** Add '-5' on ordering code for DALI control gear or
 ** Add '-4' on ordering code for 1-10V control gear
 * Luminaire luminous flux and connected electrical load - initial tolerance of $\pm 10\%$ (at ambient temperature of 25°C)

PRIMA S MD 900 35dg /840



| OC ECG ** | Socket | A/B/H[mm] | a/b/h[mm] | Weight [kg] | Flux [lm]* | ∠ | Total power [W] |
|-----------|--------|------------|-----------|-------------|------------|-----|-----------------|
| 2319111 | LED | 846/60/110 | - | 2.80 | 1949 | 35° | 18.0 |



| | |
|----------------------|-----|
| CCT | |
| 4000 K | |
| CRI | UGR |
| >80 | <6 |
| LED Service life | |
| 50000h L80B10 /SCDM3 | |

GENERAL High efficiency surface mounted luminaire for direct illumination.

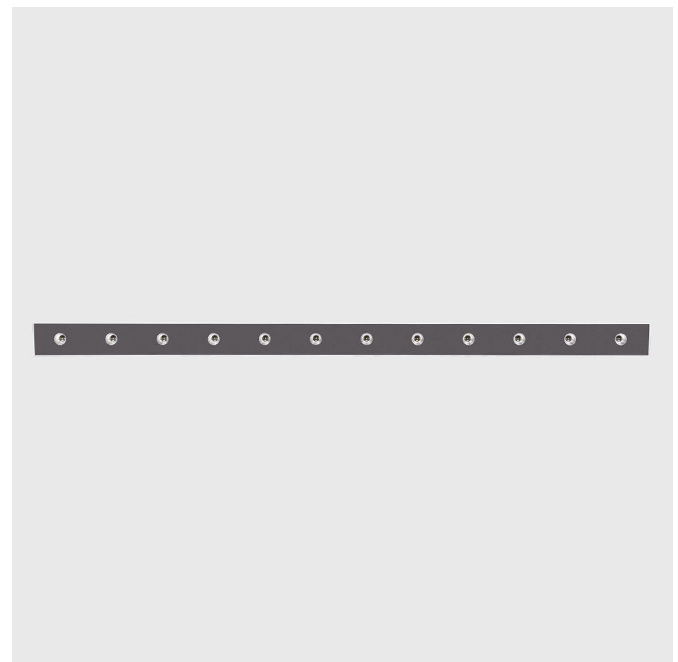
OPTICS Micro downlight reflectors with complex surfaces geometry of micro facets allow precise shaping of light beam. Angles of direct light beam and light reflected from reflector are almost perfectly aligned, providing sharp cut off for full visual comfort.

LIGHTING MANAGEMENT The choice of appropriate control gear enables integration into lighting management systems, including dynamic white function.

HOUSING Luminaire of extruded aluminium. Finish: anodisation in natural aluminium colour or with epoxy polyester powder coating. Fine structured texture. Other colours available upon request.

FEATURES Possibility to form a long linear shape adjusted to the space, in order to gain optimal light uniformity and aesthetic consistency of the interior.

ADDITIONAL Dynamic White and other light colour temperatures available upon request.

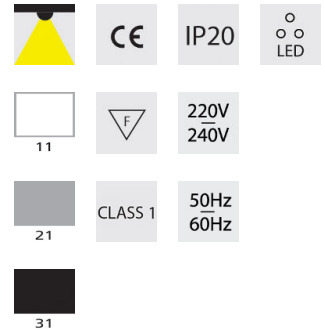
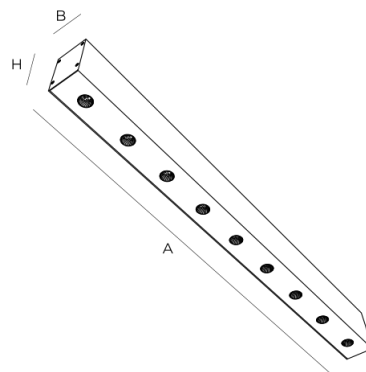


** Add '-5' on ordering code for DALI control gear or

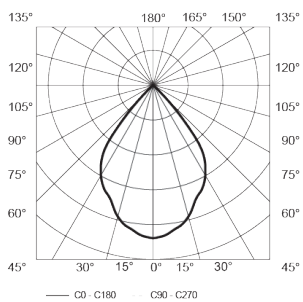
** Add '-4' on ordering code for 1-10V control gear

* Luminaire luminous flux and connected electrical load - initial tolerance of $\pm 10\%$ (at ambient temperature of 25°C)

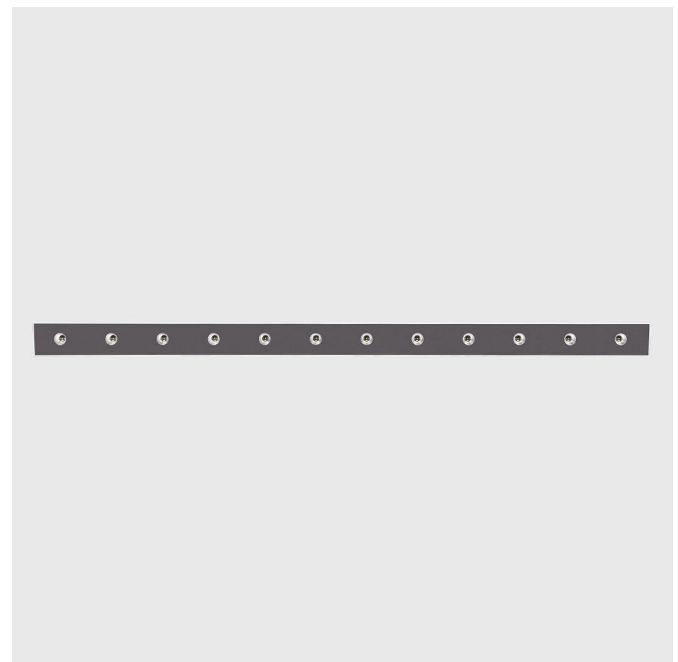
PRIMA S MD 900 75dg /840



| OC ECG ** | Socket | A/B/H[mm] | a/b/h[mm] | Weight [kg] | Flux [lm]* | ∠ | Total power [W] |
|-----------|--------|------------|-----------|-------------|------------|-----|-----------------|
| 2319113 | LED | 846/60/110 | - | 2.80 | 2167 | 75° | 18.0 |



| | |
|----------------------|-----|
| CCT | |
| 4000 K | |
| CRI | UGR |
| >80 | <19 |
| LED Service life | |
| 50000h L80B10 /SCDM3 | |



GENERAL High efficiency surface mounted luminaire for direct illumination.

OPTICS Micro downlight reflectors with complex surfaces geometry of micro facets allow precise shaping of light beam. Angles of direct light beam and light reflected from reflector are almost perfectly aligned, providing sharp cut off for full visual comfort.

LIGHTING MANAGEMENT The choice of appropriate control gear enables integration into lighting management systems, including dynamic white function.

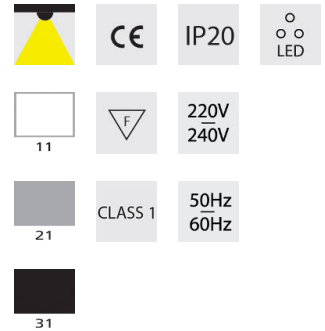
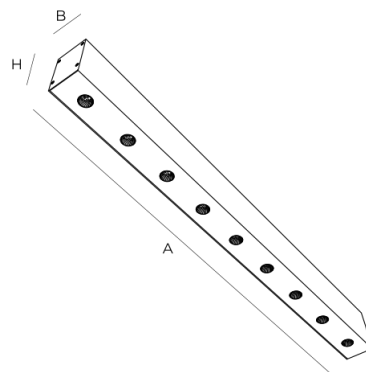
HOUSING Luminaire of extruded aluminium. Finish: anodisation in natural aluminium colour or with epoxy polyester powder coating. Fine structured texture. Other colours available upon request.

FEATURES Possibility to form a long linear shape adjusted to the space, in order to gain optimal light uniformity and aesthetic consistency of the interior.

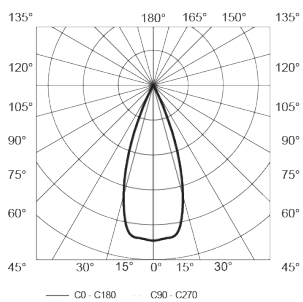
ADDITIONAL Dynamic White and other light colour temperatures available upon request.

** Add '-5' on ordering code for DALI control gear or
 ** Add '-4' on ordering code for 1-10V control gear
 * Luminaire luminous flux and connected electrical load - initial tolerance of ±10 % (at ambient temperature of 25°C)

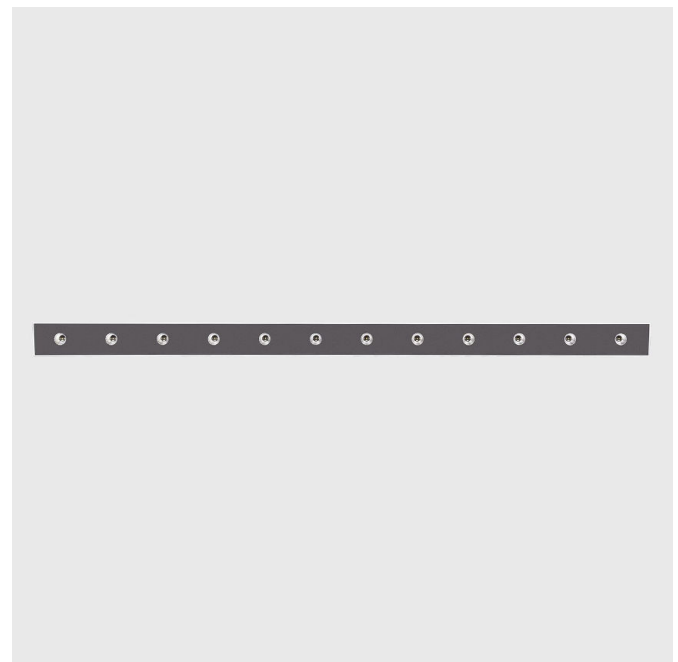
PRIMA S MD 1200 35dg /840



| OC ECG ** | Socket | A/B/H[mm] | a/b/h[mm] | Weight [kg] | Flux [lm]* | ∠ | Total power [W] |
|-----------|--------|-------------|-----------|-------------|------------|-----|-----------------|
| 2319121 | LED | 1126/60/110 | - | 3.60 | 2599 | 35° | 25.0 |



| | |
|----------------------|-----|
| CCT | |
| 4000 K | |
| CRI | UGR |
| >80 | <6 |
| LED Service life | |
| 50000h L80B10 /SCDM3 | |



GENERAL High efficiency surface mounted luminaire for direct illumination.

OPTICS Micro downlight reflectors with complex surfaces geometry of micro facets allow precise shaping of light beam. Angles of direct light beam and light reflected from reflector are almost perfectly aligned, providing sharp cut off for full visual comfort.

LIGHTING MANAGEMENT The choice of appropriate control gear enables integration into lighting management systems, including dynamic white function.

HOUSING Luminaire of extruded aluminium. Finish: anodisation in natural aluminium colour or with epoxy polyester powder coating. Fine structured texture. Other colours available upon request.

FEATURES Possibility to form a long linear shape adjusted to the space, in order to gain optimal light uniformity and aesthetic consistency of the interior.

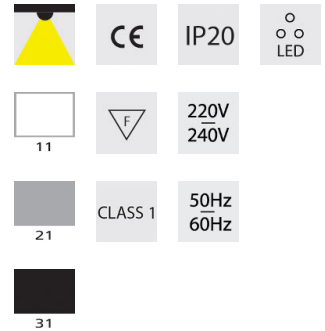
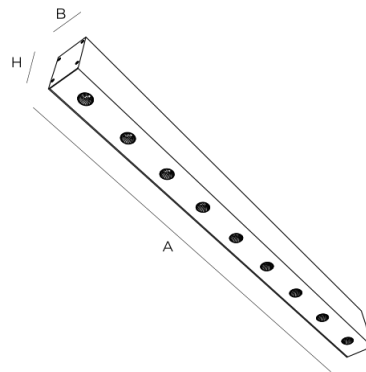
ADDITIONAL Dynamic White and other light colour temperatures available upon request.

** Add '-5' on ordering code for DALI control gear or

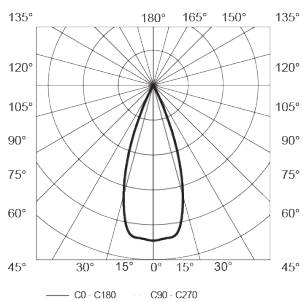
** Add '-4' on ordering code for 1-10V control gear

* Luminaire luminous flux and connected electrical load - initial tolerance of $\pm 10\%$ (at ambient temperature of 25°C)

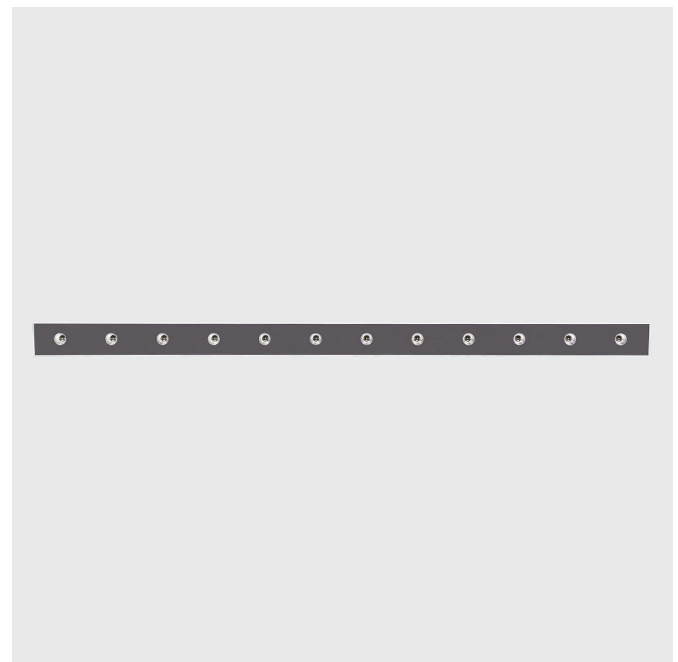
PRIMA S MD 1200 35dg /840



| OC ECG ** | Socket | A/B/H[mm] | a/b/h[mm] | Weight [kg] | Flux [lm]* | ∠ | Total power [W] |
|-----------|--------|-------------|-----------|-------------|------------|-----|-----------------|
| 2319121 | LED | 1126/60/110 | - | 3.60 | 2599 | 35° | 25.0 |



| | |
|----------------------|-----|
| CCT | |
| 4000 K | |
| CRI | UGR |
| >80 | <6 |
| LED Service life | |
| 50000h L80B10 /SCDM3 | |



GENERAL High efficiency surface mounted luminaire for direct illumination.

OPTICS Micro downlight reflectors with complex surfaces geometry of micro facets allow precise shaping of light beam. Angles of direct light beam and light reflected from reflector are almost perfectly aligned, providing sharp cut off for full visual comfort.

LIGHTING MANAGEMENT The choice of appropriate control gear enables integration into lighting management systems, including dynamic white function.

HOUSING Luminaire of extruded aluminium. Finish: anodisation in natural aluminium colour or with epoxy polyester powder coating. Fine structured texture. Other colours available upon request.

FEATURES Possibility to form a long linear shape adjusted to the space, in order to gain optimal light uniformity and aesthetic consistency of the interior.

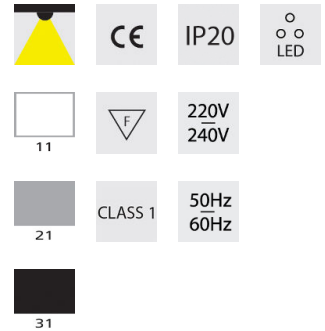
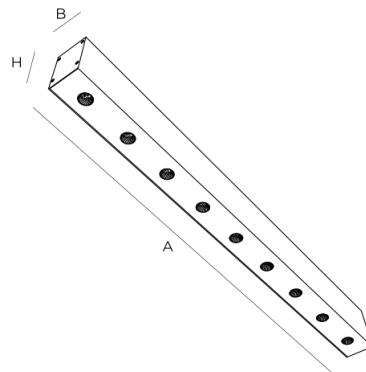
ADDITIONAL Dynamic White and other light colour temperatures available upon request.

** Add '-5' on ordering code for DALI control gear or

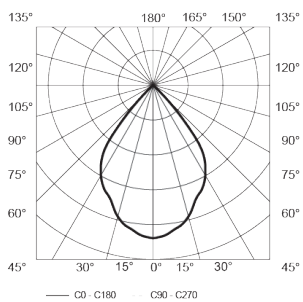
** Add '-4' on ordering code for 1-10V control gear

* Luminaire luminous flux and connected electrical load - initial tolerance of $\pm 10\%$ (at ambient temperature of 25°C)

PRIMA S MD 1200 75dg /840



| OC ECG ** | Socket | A/B/H[mm] | a/b/h[mm] | Weight [kg] | Flux [lm]* | ∠ | Total power [W] |
|-----------|--------|-------------|-----------|-------------|------------|-----|-----------------|
| 2319123 | LED | 1126/60/110 | - | 3.60 | 2889 | 75° | 25.0 |



| | |
|----------------------|-----|
| CCT | |
| 4000 K | |
| CRI | UGR |
| >80 | <19 |
| LED Service life | |
| 50000h L80B10 /SCDM3 | |

GENERAL High efficiency surface mounted luminaire for direct illumination.

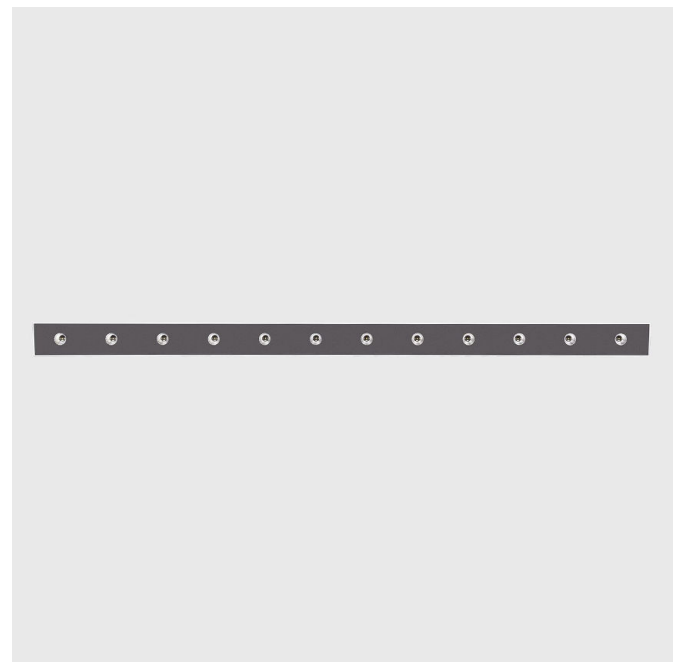
OPTICS Micro downlight reflectors with complex surfaces geometry of micro facets allow precise shaping of light beam. Angles of direct light beam and light reflected from reflector are almost perfectly aligned, providing sharp cut off for full visual comfort.

LIGHTING MANAGEMENT The choice of appropriate control gear enables integration into lighting management systems, including dynamic white function.

HOUSING Luminaire of extruded aluminium. Finish: anodisation in natural aluminium colour or with epoxy polyester powder coating. Fine structured texture. Other colours available upon request.

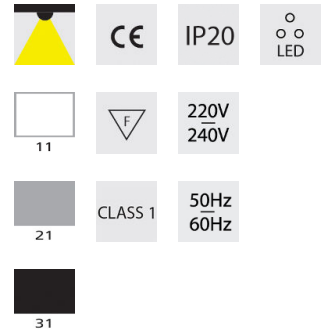
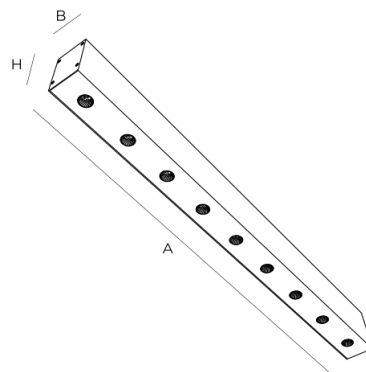
FEATURES Possibility to form a long linear shape adjusted to the space, in order to gain optimal light uniformity and aesthetic consistency of the interior.

ADDITIONAL Dynamic White and other light colour temperatures available upon request.

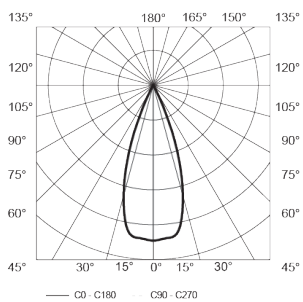


** Add '-5' on ordering code for DALI control gear or
 ** Add '-4' on ordering code for 1-10V control gear
 * Luminaire luminous flux and connected electrical load - initial tolerance of $\pm 10\%$ (at ambient temperature of 25°C)

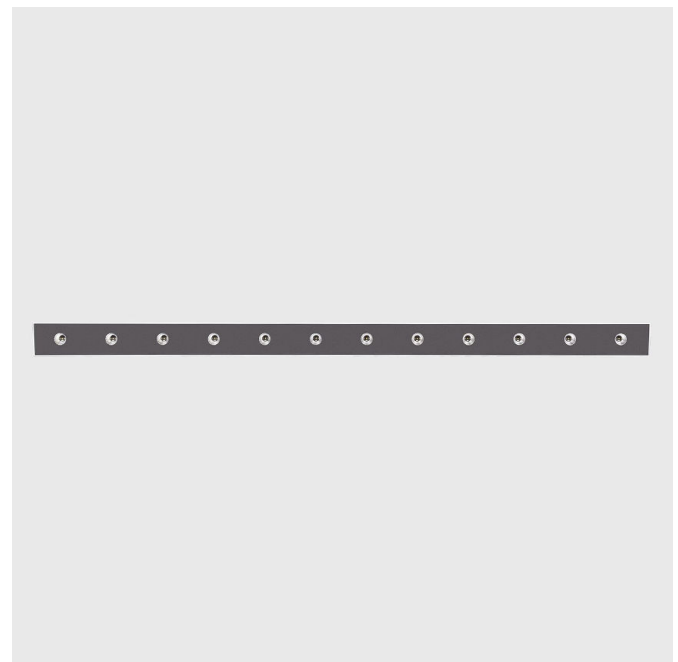
PRIMA S MD 1500 35dg /840



| OC ECG ** | Socket | A/B/H[mm] | a/b/h[mm] | Weight [kg] | Flux [lm]* | ∠ | Total power [W] |
|-----------|--------|-------------|-----------|-------------|------------|-----|-----------------|
| 2319131 | LED | 1406/60/110 | - | 4.30 | 3249 | 35° | 31.0 |



| | |
|----------------------|-----|
| CCT | |
| 4000 K | |
| CRI | UGR |
| >80 | <6 |
| LED Service life | |
| 50000h L80B10 /SCDM3 | |



GENERAL High efficiency surface mounted luminaire for direct illumination.

OPTICS Micro downlight reflectors with complex surfaces geometry of micro facets allow precise shaping of light beam. Angles of direct light beam and light reflected from reflector are almost perfectly aligned, providing sharp cut off for full visual comfort.

LIGHTING MANAGEMENT The choice of appropriate control gear enables integration into lighting management systems, including dynamic white function.

HOUSING Luminaire of extruded aluminium. Finish: anodisation in natural aluminium colour or with epoxy polyester powder coating. Fine structured texture. Other colours available upon request.

FEATURES Possibility to form a long linear shape adjusted to the space, in order to gain optimal light uniformity and aesthetic consistency of the interior.

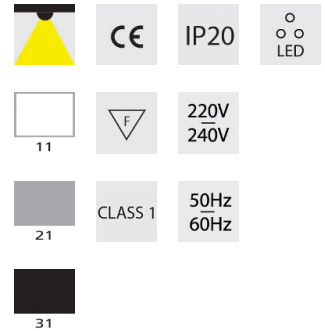
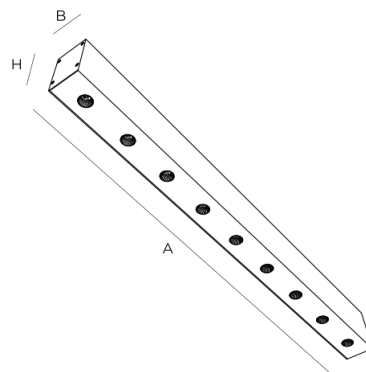
ADDITIONAL Dynamic White and other light colour temperatures available upon request.

** Add '-5' on ordering code for DALI control gear or

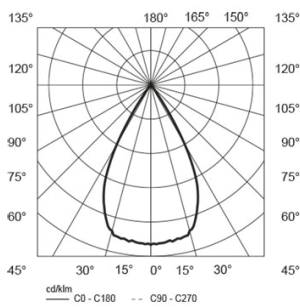
** Add '-4' on ordering code for 1-10V control gear

* Luminaire luminous flux and connected electrical load - initial tolerance of $\pm 10\%$ (at ambient temperature of 25°C)

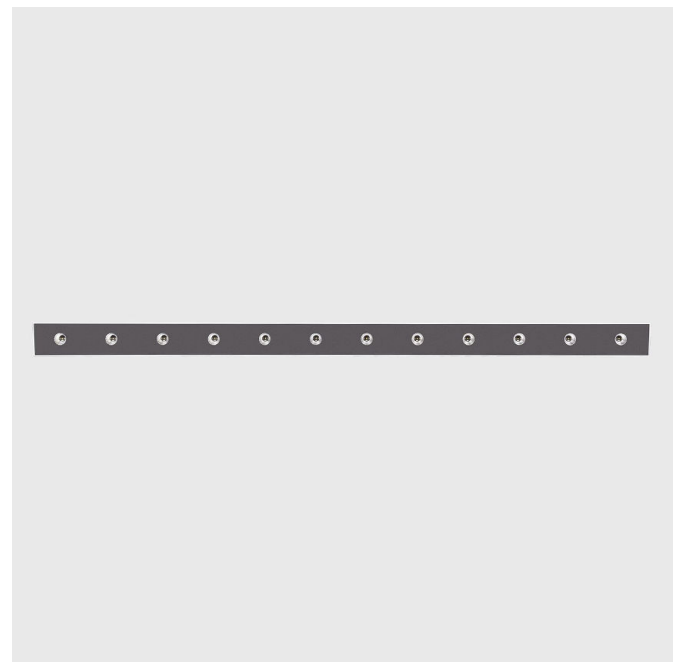
PRIMA S MD 1500 55dg /840



| OC ECG ** | Socket | A/B/H[mm] | a/b/h[mm] | Weight [kg] | Flux [lm]* | ∠ | Total power [W] |
|-----------|--------|-------------|-----------|-------------|------------|-----|-----------------|
| 2319132 | LED | 1406/60/110 | - | 4.30 | 3479 | 55° | 31.0 |



| | |
|----------------------|-----|
| CCT | |
| 4000 K | |
| CRI | UGR |
| >80 | <13 |
| LED Service life | |
| 50000h L80B10 /SCDM3 | |



GENERAL High efficiency surface mounted luminaire for direct illumination.

OPTICS Micro downlight reflectors with complex surfaces geometry of micro facets allow precise shaping of light beam. Angles of direct light beam and light reflected from reflector are almost perfectly aligned, providing sharp cut off for full visual comfort.

LIGHTING MANAGEMENT The choice of appropriate control gear enables integration into lighting management systems, including dynamic white function.

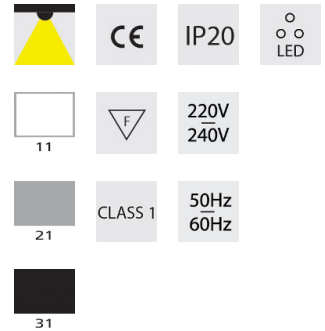
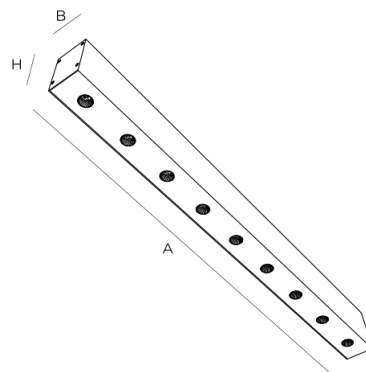
HOUSING Luminaire of extruded aluminium. Finish: anodisation in natural aluminium colour or with epoxy polyester powder coating. Fine structured texture. Other colours available upon request.

FEATURES Possibility to form a long linear shape adjusted to the space, in order to gain optimal light uniformity and aesthetic consistency of the interior.

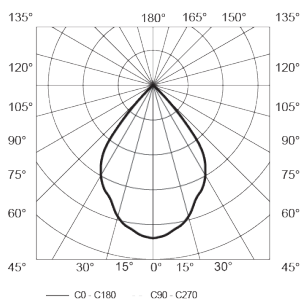
ADDITIONAL Dynamic White and other light colour temperatures available upon request.

** Add '-5' on ordering code for DALI control gear or
 ** Add '-4' on ordering code for 1-10V control gear
 * Luminaire luminous flux and connected electrical load - initial tolerance of $\pm 10\%$ (at ambient temperature of 25°C)

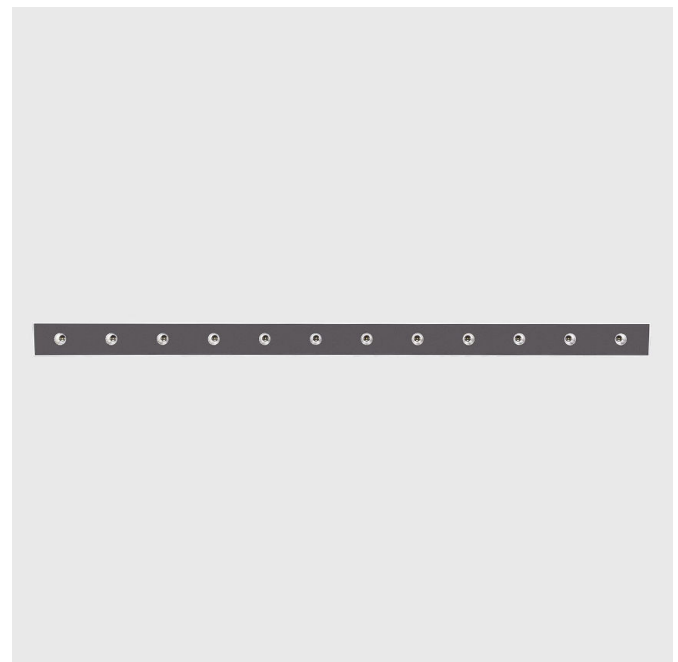
PRIMA S MD 1500 75dg /840



| OC ECG ** | Socket | A/B/H[mm] | a/b/h[mm] | Weight [kg] | Flux [lm]* | ∠ | Total power [W] |
|-----------|--------|-------------|-----------|-------------|------------|-----|-----------------|
| 2319133 | LED | 1406/60/110 | - | 4.30 | 3611 | 75° | 31.0 |



| | |
|----------------------|-----|
| CCT | |
| 4000 K | |
| CRI | UGR |
| >80 | <19 |
| LED Service life | |
| 50000h L80B10 /SCDM3 | |



GENERAL High efficiency surface mounted luminaire for direct illumination.

OPTICS Micro downlight reflectors with complex surfaces geometry of micro facets allow precise shaping of light beam. Angles of direct light beam and light reflected from reflector are almost perfectly aligned, providing sharp cut off for full visual comfort.

LIGHTING MANAGEMENT The choice of appropriate control gear enables integration into lighting management systems, including dynamic white function.

HOUSING Luminaire of extruded aluminium. Finish: anodisation in natural aluminium colour or with epoxy polyester powder coating. Fine structured texture. Other colours available upon request.

FEATURES Possibility to form a long linear shape adjusted to the space, in order to gain optimal light uniformity and aesthetic consistency of the interior.

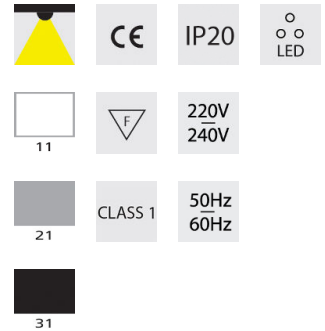
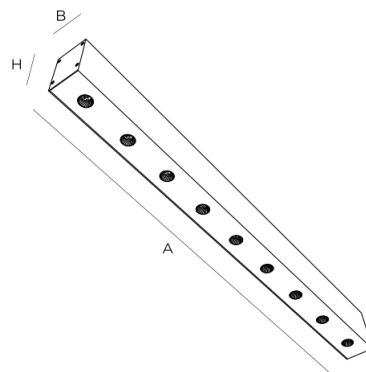
ADDITIONAL Dynamic White and other light colour temperatures available upon request.

** Add '-5' on ordering code for DALI control gear or

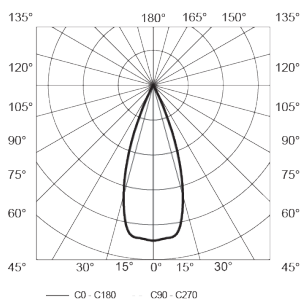
** Add '-4' on ordering code for 1-10V control gear

* Luminaire luminous flux and connected electrical load - initial tolerance of $\pm 10\%$ (at ambient temperature of 25°C)

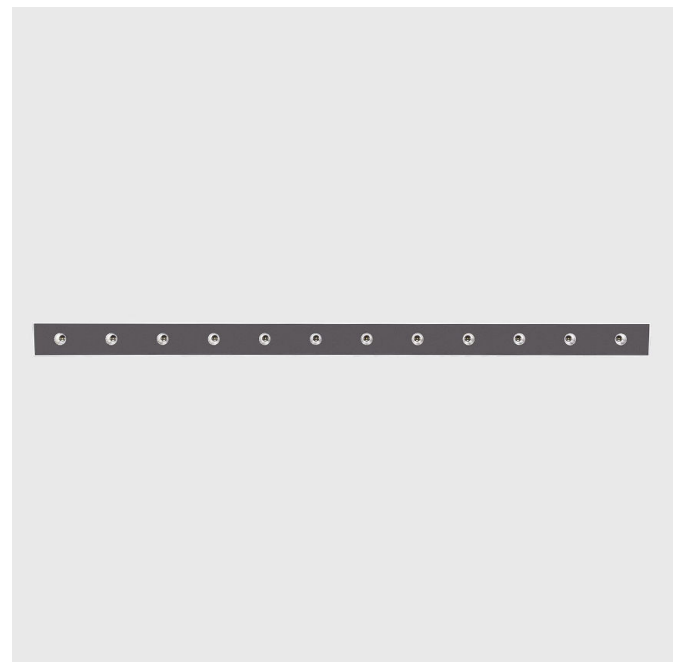
PRIMA S MD 2400 35dg /840



| OC ECG ** | Socket | A/B/H[mm] | a/b/h[mm] | Weight [kg] | Flux [lm]* | ∠ | Total power [W] |
|-----------|--------|-------------|-----------|-------------|------------|-----|-----------------|
| 2319141 | LED | 2248/60/110 | - | 7.00 | 5198 | 35° | 49.0 |



| | |
|----------------------|-----|
| CCT | |
| 4000 K | |
| CRI | UGR |
| >80 | <6 |
| LED Service life | |
| 50000h L80B10 /SCDM3 | |



GENERAL High efficiency surface mounted luminaire for direct illumination.

OPTICS Micro downlight reflectors with complex surfaces geometry of micro facets allow precise shaping of light beam. Angles of direct light beam and light reflected from reflector are almost perfectly aligned, providing sharp cut off for full visual comfort.

LIGHTING MANAGEMENT The choice of appropriate control gear enables integration into lighting management systems, including dynamic white function.

HOUSING Luminaire of extruded aluminium. Finish: anodisation in natural aluminium colour or with epoxy polyester powder coating. Fine structured texture. Other colours available upon request.

FEATURES Possibility to form a long linear shape adjusted to the space, in order to gain optimal light uniformity and aesthetic consistency of the interior.

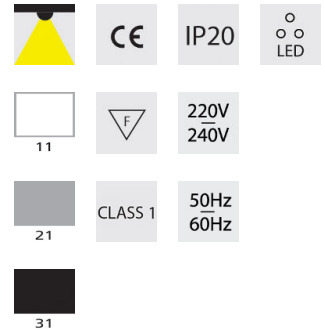
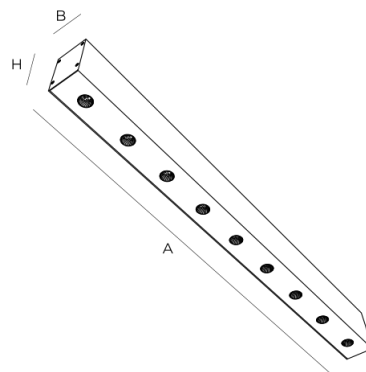
ADDITIONAL Dynamic White and other light colour temperatures available upon request.

** Add '-5' on ordering code for DALI control gear or

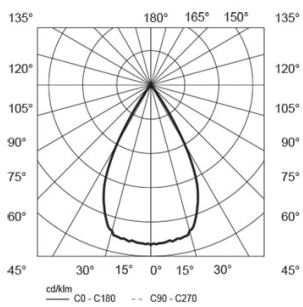
** Add '-4' on ordering code for 1-10V control gear

* Luminaire luminous flux and connected electrical load - initial tolerance of ±10 % (at ambient temperature of 25°C)

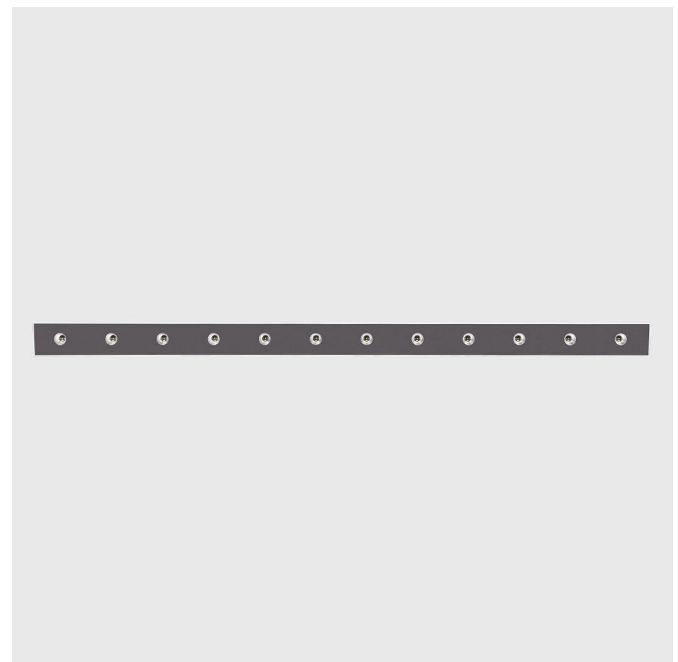
PRIMA S MD 2400 55dg /840



| OC ECG ** | Socket | A/B/H[mm] | a/b/h[mm] | Weight [kg] | Flux [lm]* | ∠ | Total power [W] |
|-----------|--------|-------------|-----------|-------------|------------|-----|-----------------|
| 2319142 | LED | 2248/60/110 | - | 7.00 | 5566 | 55° | 49.0 |



| | |
|----------------------|-----|
| CCT | |
| 4000 K | |
| CRI | UGR |
| >80 | <13 |
| LED Service life | |
| 50000h L80B10 /SCDM3 | |



** Add '-5' on ordering code for DALI control gear or
 ** Add '-4' on ordering code for 1-10V control gear
 * Luminaire luminous flux and connected electrical load - initial tolerance of ±10 % (at ambient temperature of 25°C)

GENERAL High efficiency surface mounted luminaire for direct illumination.

OPTICS Micro downlight reflectors with complex surfaces geometry of micro facets allow precise shaping of light beam. Angles of direct light beam and light reflected from reflector are almost perfectly aligned, providing sharp cut off for full visual comfort.

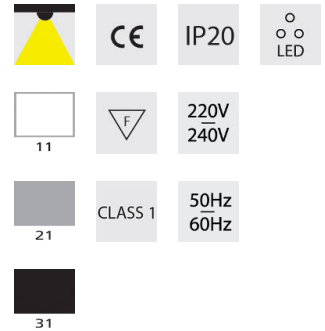
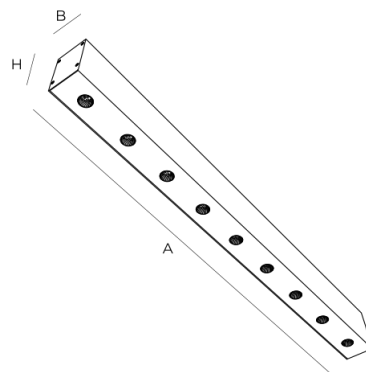
LIGHTING MANAGEMENT The choice of appropriate control gear enables integration into lighting management systems, including dynamic white function.

HOUSING Luminaire of extruded aluminium. Finish: anodisation in natural aluminium colour or with epoxy polyester powder coating. Fine structured texture. Other colours available upon request.

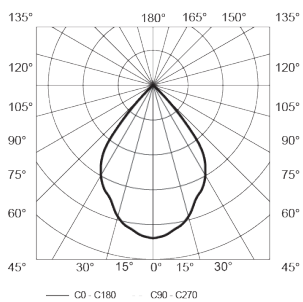
FEATURES Possibility to form a long linear shape adjusted to the space, in order to gain optimal light uniformity and aesthetic consistency of the interior.

ADDITIONAL Dynamic White and other light colour temperatures available upon request.

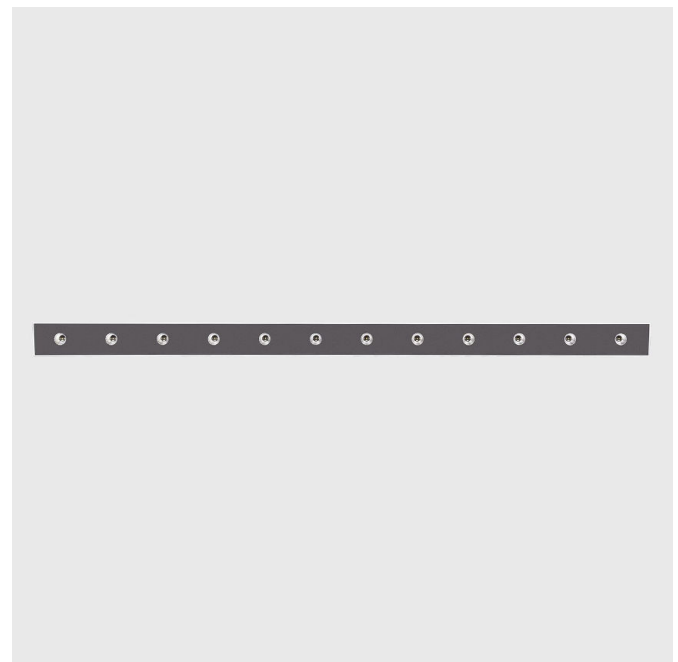
PRIMA S MD 2400 75dg /840



| OC ECG ** | Socket | A/B/H[mm] | a/b/h[mm] | Weight [kg] | Flux [lm]* | ∠ | Total power [W] |
|-----------|--------|-------------|-----------|-------------|------------|-----|-----------------|
| 2319143 | LED | 2248/60/110 | - | 7.00 | 5778 | 75° | 49.0 |



| | |
|----------------------|-----|
| CCT | |
| 4000 K | |
| CRI | UGR |
| >80 | <19 |
| LED Service life | |
| 50000h L80B10 /SCDM3 | |



GENERAL High efficiency surface mounted luminaire for direct illumination.

OPTICS Micro downlight reflectors with complex surfaces geometry of micro facets allow precise shaping of light beam. Angles of direct light beam and light reflected from reflector are almost perfectly aligned, providing sharp cut off for full visual comfort.

LIGHTING MANAGEMENT The choice of appropriate control gear enables integration into lighting management systems, including dynamic white function.

HOUSING Luminaire of extruded aluminium. Finish: anodisation in natural aluminium colour or with epoxy polyester powder coating. Fine structured texture. Other colours available upon request.

FEATURES Possibility to form a long linear shape adjusted to the space, in order to gain optimal light uniformity and aesthetic consistency of the interior.

ADDITIONAL Dynamic White and other light colour temperatures available upon request.

** Add '-5' on ordering code for DALI control gear or

** Add '-4' on ordering code for 1-10V control gear

* Luminaire luminous flux and connected electrical load - initial tolerance of ±10 % (at ambient temperature of 25°C)