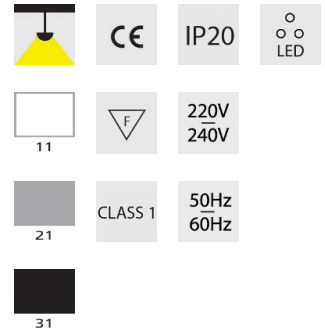
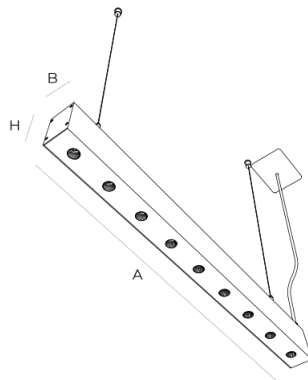
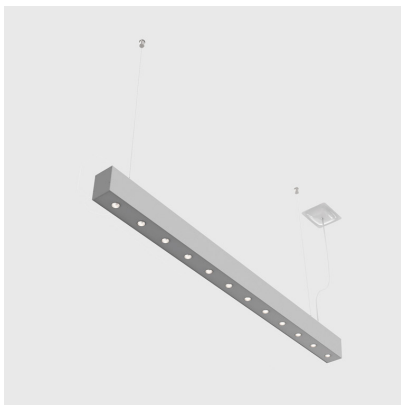
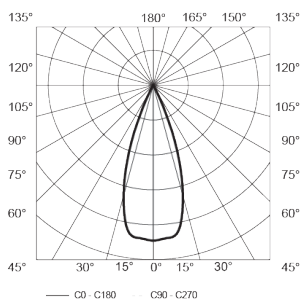


## PRIMA S MD /S 900 35dg/840



OC ECG **	Socket	A/B/H[mm]	a/b/h[mm]	Weight [kg]	Flux [lm]*	∠	Total power [W]
2815111	LED	846/60/110	-	2.80	1949	35°	18.0



CCT	
4000 K	
CRI	UGR
>80	<6
LED Service life	
50000h L80B10 /SCDM3	

**GENERAL** High efficiency suspension luminaire for direct high quality illumination of office spaces.

**OPTICS** Linear multispot downlighter reflectors with complex surfaces geometry of micro facets allow precise shaping of light beam. Angles of direct light beam and light reflected from reflector are almost perfectly aligned, providing sharp cut off for full visual comfort (UGR < 19).

**LIGHTING MANAGEMENT** The choice of appropriate control gear enables integration into lighting management systems, including dynamic white function.

**HOUSING** Luminaire of extruded aluminium. Finish: anodisation in natural aluminium colour or with epoxy polyester powder coating. Fine structured texture. Other colours available upon request.

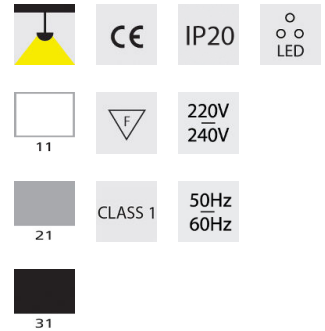
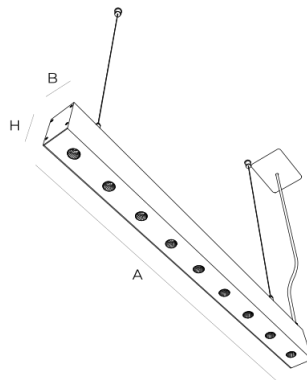
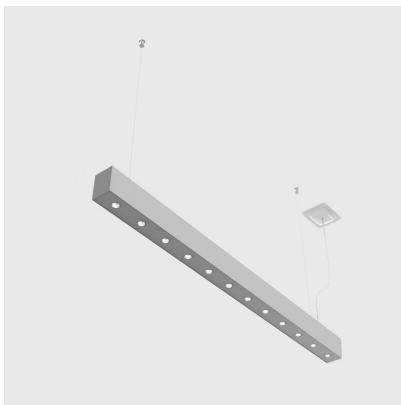
**FEATURES** Possibility to form a long linear line adjusted to the space, in order to gain optimal light uniformity and aesthetic consistency of the interior.

**ADDITIONAL** To be ordered separately: suspension kit, an EM module, enabling operation in the case of a power failure, Dynamic White and other light colour temperatures.

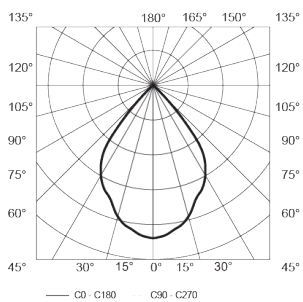


\*\* Add '-5' on ordering code for DALI control gear or  
 \*\* Add '-4' on ordering code for 1-10V control gear  
 \* Luminaire luminous flux and connected electrical load - initial tolerance of ±10 % (at ambient temperature of 25°C)

## PRIMA S MD /S 900 75dg/840



OC ECG **	Socket	A/B/H[mm]	a/b/h[mm]	Weight [kg]	Flux [lm]*	∠	Total power [W]
2815113	LED	846/60/110	-	2.80	2167	75°	18.0



CCT	
4000 K	
CRI	UGR
>80	<19
LED Service life	
50000h L80B10 /SCDM3	



\*\* Add '-5' on ordering code for DALI control gear or  
 \*\* Add '-4' on ordering code for 1-10V control gear  
 \* Luminaire luminous flux and connected electrical load - initial tolerance of ±10 % (at ambient temperature of 25°C)

**GENERAL** High efficiency suspension luminaire for direct high quality illumination of office spaces.

**OPTICS** Linear multispot downlighter reflectors with complex surfaces geometry of micro facets allow precise shaping of light beam. Angles of direct light beam and light reflected from reflector are almost perfectly aligned, providing sharp cut off for full visual comfort (UGR < 19).

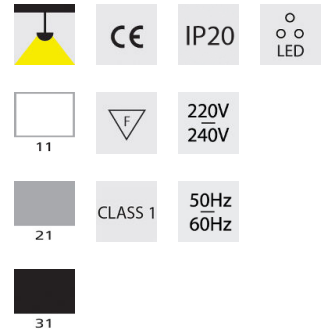
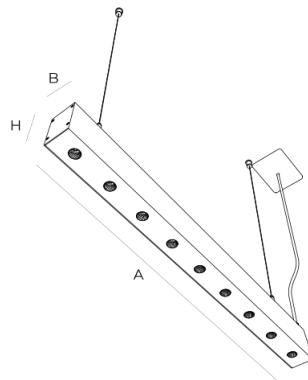
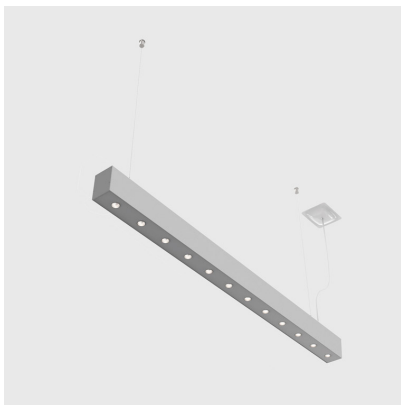
**LIGHTING MANAGEMENT** The choice of appropriate control gear enables integration into lighting management systems, including dynamic white function.

**HOUSING** Luminaire of extruded aluminium. Finish: anodisation in natural aluminium colour or with epoxy polyester powder coating. Fine structured texture. Other colours available upon request.

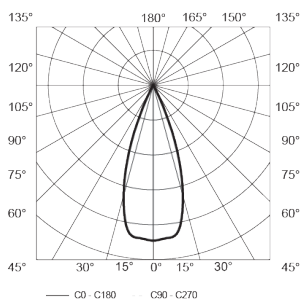
**FEATURES** Possibility to form a long linear line adjusted to the space, in order to gain optimal light uniformity and aesthetic consistency of the interior.

**ADDITIONAL** To be ordered separately: suspension kit, an EM module, enabling operation in the case of a power failure, Dynamic White and other light colour temperatures.

## PRIMA S MD /S 1200 35dg/840



OC ECG **	Socket	A/B/H[mm]	a/b/h[mm]	Weight [kg]	Flux [lm]*	∠	Total power [W]
2815121	LED	1126/60/110	-	3.60	2599	35°	25.0



CCT	
4000 K	
CRI	UGR
>80	<6
LED Service life	
50000h L80B10 /SCDM3	

**GENERAL** High efficiency suspension luminaire for direct high quality illumination of office spaces.

**OPTICS** Linear multispot downlighter reflectors with complex surfaces geometry of micro facets allow precise shaping of light beam. Angles of direct light beam and light reflected from reflector are almost perfectly aligned, providing sharp cut off for full visual comfort (UGR < 19).

**LIGHTING MANAGEMENT** The choice of appropriate control gear enables integration into lighting management systems, including dynamic white function.

**HOUSING** Luminaire of extruded aluminium. Finish: anodisation in natural aluminium colour or with epoxy polyester powder coating. Fine structured texture. Other colours available upon request.

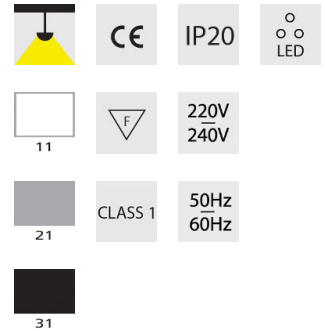
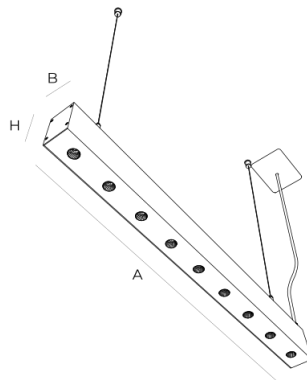
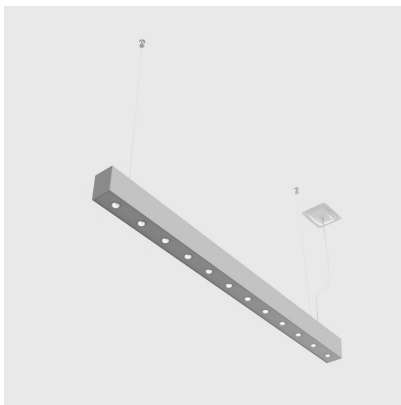
**FEATURES** Possibility to form a long linear line adjusted to the space, in order to gain optimal light uniformity and aesthetic consistency of the interior.

**ADDITIONAL** To be ordered separately: suspension kit, an EM module, enabling operation in the case of a power failure, Dynamic White and other light colour temperatures.

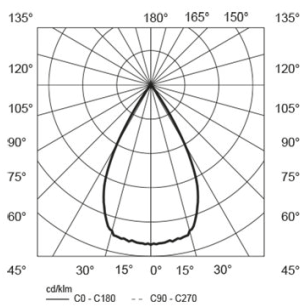


\*\* Add '-5' on ordering code for DALI control gear or  
 \*\* Add '-4' on ordering code for 1-10V control gear  
 \* Luminaire luminous flux and connected electrical load - initial tolerance of ±10 % (at ambient temperature of 25°C)

## PRIMA S MD /S 1200 55dg/840



OC ECG **	Socket	A/B/H[mm]	a/b/h[mm]	Weight [kg]	Flux [lm]*	∠	Total power [W]
2815122	LED	1126/60/110	-	3.60	2783	55°	25.0



CCT	
4000 K	
CRI	UGR
>80	<13
LED Service life	
50000h L80B10 /SCDM3	

**GENERAL** High efficiency suspension luminaire for direct high quality illumination of office spaces.

**OPTICS** Linear multispot downlighter reflectors with complex surfaces geometry of micro facets allow precise shaping of light beam. Angles of direct light beam and light reflected from reflector are almost perfectly aligned, providing sharp cut off for full visual comfort (UGR < 19).

**LIGHTING MANAGEMENT** The choice of appropriate control gear enables integration into lighting management systems, including dynamic white function.

**HOUSING** Luminaire of extruded aluminium. Finish: anodisation in natural aluminium colour or with epoxy polyester powder coating. Fine structured texture. Other colours available upon request.

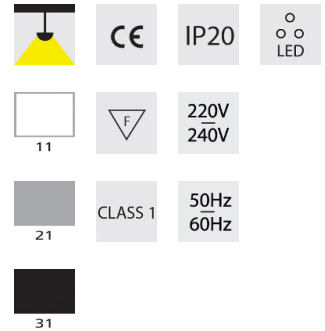
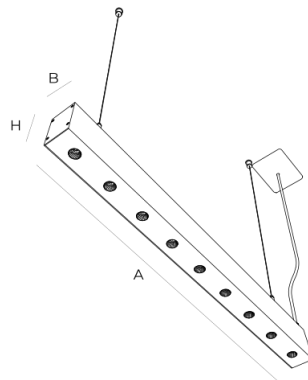
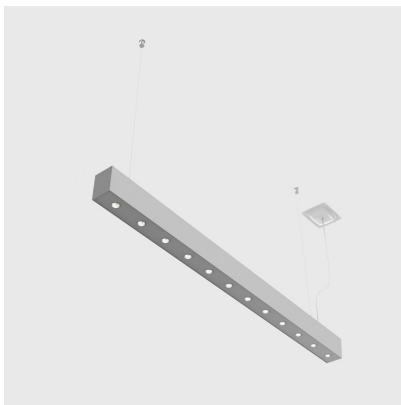
**FEATURES** Possibility to form a long linear line adjusted to the space, in order to gain optimal light uniformity and aesthetic consistency of the interior.

**ADDITIONAL** To be ordered separately: suspension kit, an EM module, enabling operation in the case of a power failure, Dynamic White and other light colour temperatures.

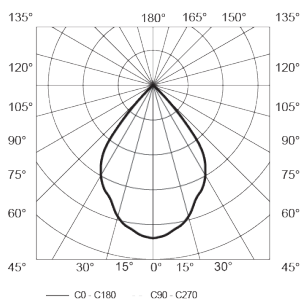


\*\* Add '-5' on ordering code for DALI control gear or  
 \*\* Add '-4' on ordering code for 1-10V control gear  
 \* Luminaire luminous flux and connected electrical load - initial tolerance of ±10 % (at ambient temperature of 25°C)

## PRIMA S MD /S 1200 75dg/840



OC ECG **	Socket	A/B/H[mm]	a/b/h[mm]	Weight [kg]	Flux [lm]*	∠	Total power [W]
2815123	LED	1126/60/110	-	3.60	2889	75°	25.0



CCT	
4000 K	
CRI	UGR
>80	<19
LED Service life	
50000h L80B10 /SCDM3	

**GENERAL** High efficiency suspension luminaire for direct high quality illumination of office spaces.

**OPTICS** Linear multispot downlighter reflectors with complex surfaces geometry of micro facets allow precise shaping of light beam. Angles of direct light beam and light reflected from reflector are almost perfectly aligned, providing sharp cut off for full visual comfort (UGR < 19).

**LIGHTING MANAGEMENT** The choice of appropriate control gear enables integration into lighting management systems, including dynamic white function.

**HOUSING** Luminaire of extruded aluminium. Finish: anodisation in natural aluminium colour or with epoxy polyester powder coating. Fine structured texture. Other colours available upon request.

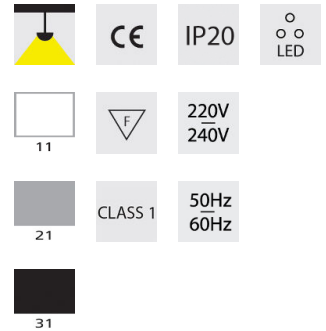
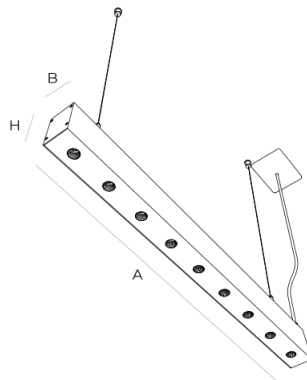
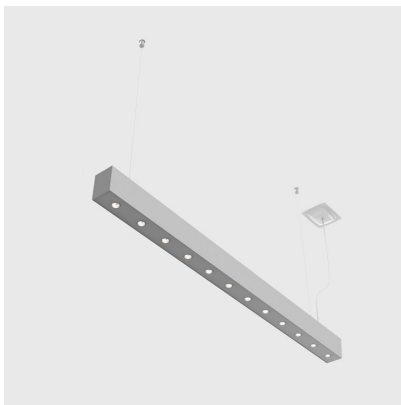
**FEATURES** Possibility to form a long linear line adjusted to the space, in order to gain optimal light uniformity and aesthetic consistency of the interior.

**ADDITIONAL** To be ordered separately: suspension kit, an EM module, enabling operation in the case of a power failure, Dynamic White and other light colour temperatures.

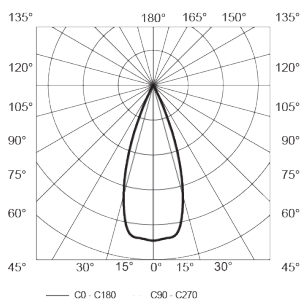


\*\* Add '-5' on ordering code for DALI control gear or  
 \*\* Add '-4' on ordering code for 1-10V control gear  
 \* Luminaire luminous flux and connected electrical load - initial tolerance of ±10 % (at ambient temperature of 25°C)

## PRIMA S MD /S 1500 35dg/840



OC ECG **	Socket	A/B/H[mm]	a/b/h[mm]	Weight [kg]	Flux [lm]*	∠	Total power [W]
2815131	LED	1406/60/110	-	4.30	3249	35°	31.0



CCT	
4000 K	
CRI	UGR
>80	<6
LED Service life	
50000h L80B10 /SCDM3	

**GENERAL** High efficiency suspension luminaire for direct high quality illumination of office spaces.

**OPTICS** Linear multispot downlighter reflectors with complex surfaces geometry of micro facets allow precise shaping of light beam. Angles of direct light beam and light reflected from reflector are almost perfectly aligned, providing sharp cut off for full visual comfort (UGR < 19).

**LIGHTING MANAGEMENT** The choice of appropriate control gear enables integration into lighting management systems, including dynamic white function.

**HOUSING** Luminaire of extruded aluminium. Finish: anodisation in natural aluminium colour or with epoxy polyester powder coating. Fine structured texture. Other colours available upon request.

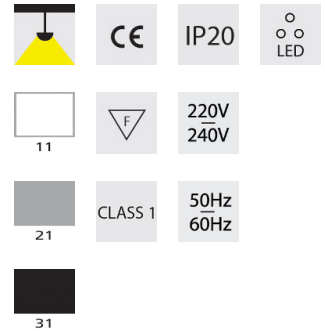
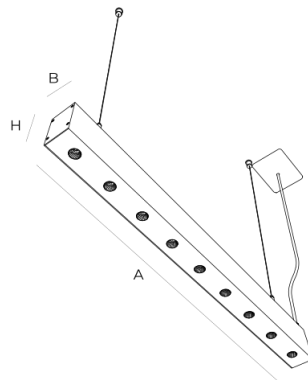
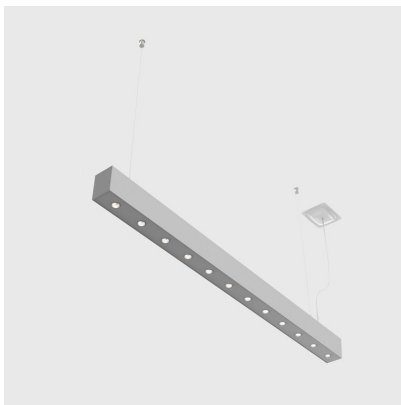
**FEATURES** Possibility to form a long linear line adjusted to the space, in order to gain optimal light uniformity and aesthetic consistency of the interior.

**ADDITIONAL** To be ordered separately: suspension kit, an EM module, enabling operation in the case of a power failure, Dynamic White and other light colour temperatures.

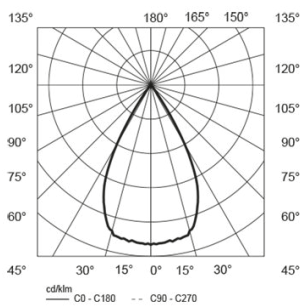


\*\* Add '-5' on ordering code for DALI control gear or  
 \*\* Add '-4' on ordering code for 1-10V control gear  
 \* Luminaire luminous flux and connected electrical load - initial tolerance of ±10 % (at ambient temperature of 25°C)

## PRIMA S MD /S 1500 55dg/840



OC ECG **	Socket	A/B/H[mm]	a/b/h[mm]	Weight [kg]	Flux [lm]*	∠	Total power [W]
2815132	LED	1406/60/110	-	4.30	3479	55°	31.0



CCT	
4000 K	
CRI	UGR
>80	<13
LED Service life	
50000h L80B10 /SCDM3	

**GENERAL** High efficiency suspension luminaire for direct high quality illumination of office spaces.

**OPTICS** Linear multispot downlighter reflectors with complex surfaces geometry of micro facets allow precise shaping of light beam. Angles of direct light beam and light reflected from reflector are almost perfectly aligned, providing sharp cut off for full visual comfort (UGR < 19).

**LIGHTING MANAGEMENT** The choice of appropriate control gear enables integration into lighting management systems, including dynamic white function.

**HOUSING** Luminaire of extruded aluminium. Finish: anodisation in natural aluminium colour or with epoxy polyester powder coating. Fine structured texture. Other colours available upon request.

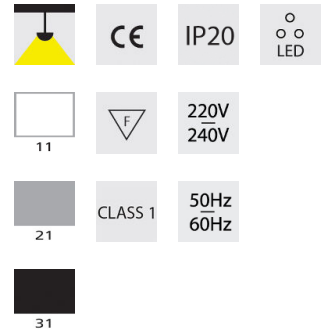
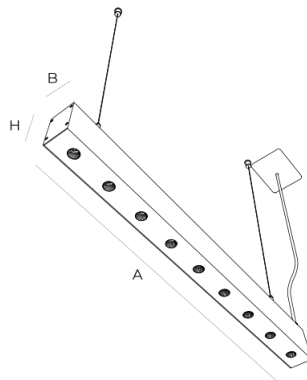
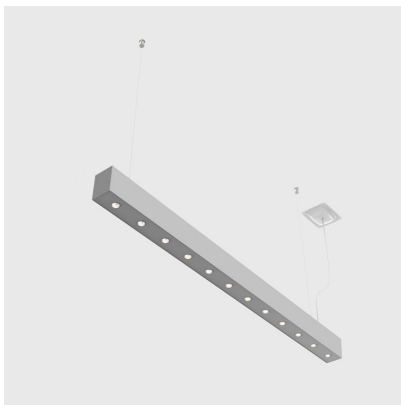
**FEATURES** Possibility to form a long linear line adjusted to the space, in order to gain optimal light uniformity and aesthetic consistency of the interior.

**ADDITIONAL** To be ordered separately: suspension kit, an EM module, enabling operation in the case of a power failure, Dynamic White and other light colour temperatures.

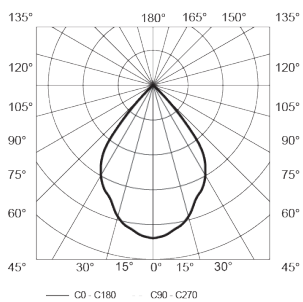


\*\* Add '-5' on ordering code for DALI control gear or  
 \*\* Add '-4' on ordering code for 1-10V control gear  
 \* Luminaire luminous flux and connected electrical load - initial tolerance of ±10 % (at ambient temperature of 25°C)

## PRIMA S MD /S 1500 75dg/840



OC ECG **	Socket	A/B/H[mm]	a/b/h[mm]	Weight [kg]	Flux [lm]*	∠	Total power [W]
2815133	LED	1406/60/110	-	4.30	3611	75°	31.0



CCT	
4000 K	
CRI	UGR
>80	<19
LED Service life	
50000h L80B10 /SCDM3	

**GENERAL** High efficiency suspension luminaire for direct high quality illumination of office spaces.

**OPTICS** Linear multispot downlighter reflectors with complex surfaces geometry of micro facets allow precise shaping of light beam. Angles of direct light beam and light reflected from reflector are almost perfectly aligned, providing sharp cut off for full visual comfort (UGR < 19).

**LIGHTING MANAGEMENT** The choice of appropriate control gear enables integration into lighting management systems, including dynamic white function.

**HOUSING** Luminaire of extruded aluminium. Finish: anodisation in natural aluminium colour or with epoxy polyester powder coating. Fine structured texture. Other colours available upon request.

**FEATURES** Possibility to form a long linear line adjusted to the space, in order to gain optimal light uniformity and aesthetic consistency of the interior.

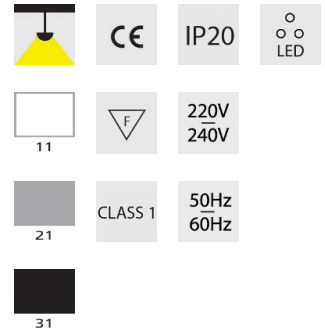
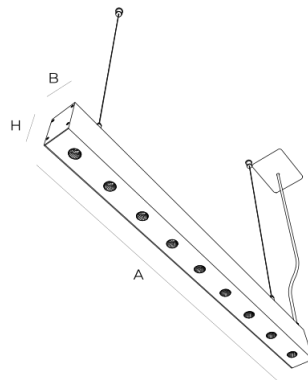
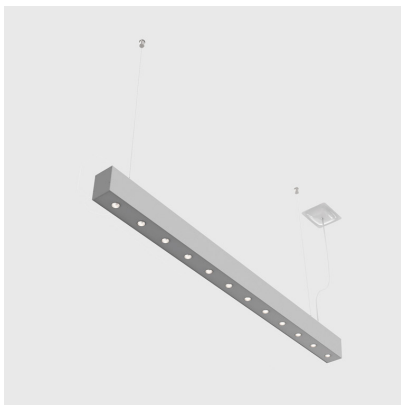
**ADDITIONAL** To be ordered separately: suspension kit, an EM module, enabling operation in the case of a power failure, Dynamic White and other light colour temperatures.



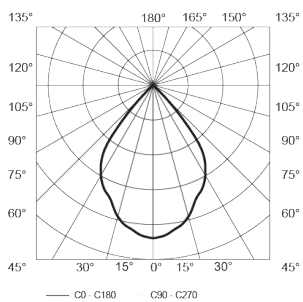
\*\* Add '-5' on ordering code for DALI control gear or  
 \*\* Add '-4' on ordering code for 1-10V control gear  
 \* Luminaire luminous flux and connected electrical load - initial tolerance of ±10 % (at ambient temperature of 25°C)



## PRIMA S MD /S 1500 75dg/840



OC ECG **	Socket	A/B/H[mm]	a/b/h[mm]	Weight [kg]	Flux [lm]*	∠	Total power [W]
2815133	LED	1406/60/110	-	4.30	3611	75°	31.0



CCT	
4000 K	
CRI	UGR
>80	<19
LED Service life	
50000h L80B10 /SCDM3	



\*\* Add '-5' on ordering code for DALI control gear or  
 \*\* Add '-4' on ordering code for 1-10V control gear  
 \* Luminaire luminous flux and connected electrical load - initial tolerance of ±10 % (at ambient temperature of 25°C)

**GENERAL** High efficiency suspension luminaire for direct high quality illumination of office spaces.

**OPTICS** Linear multispot downlighter reflectors with complex surfaces geometry of micro facets allow precise shaping of light beam. Angles of direct light beam and light reflected from reflector are almost perfectly aligned, providing sharp cut off for full visual comfort (UGR < 19).

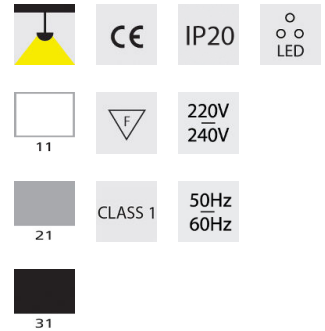
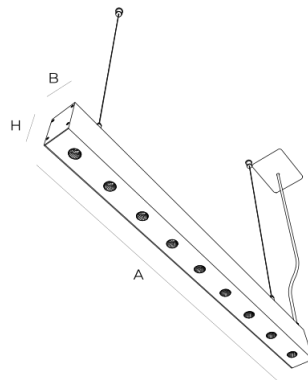
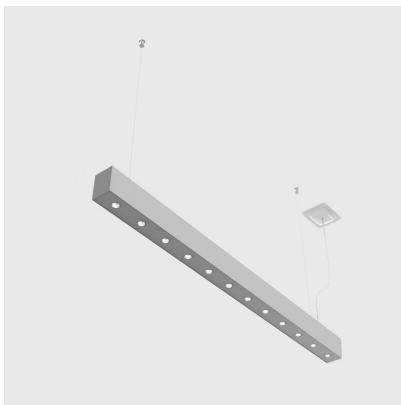
**LIGHTING MANAGEMENT** The choice of appropriate control gear enables integration into lighting management systems, including dynamic white function.

**HOUSING** Luminaire of extruded aluminium. Finish: anodisation in natural aluminium colour or with epoxy polyester powder coating. Fine structured texture. Other colours available upon request.

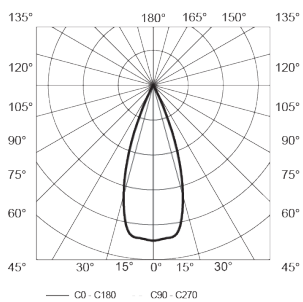
**FEATURES** Possibility to form a long linear line adjusted to the space, in order to gain optimal light uniformity and aesthetic consistency of the interior.

**ADDITIONAL** To be ordered separately: suspension kit, an EM module, enabling operation in the case of a power failure, Dynamic White and other light colour temperatures.

## PRIMA S MD /S 2400 35dg/840



OC ECG **	Socket	A/B/H[mm]	a/b/h[mm]	Weight [kg]	Flux [lm]*	∠	Total power [W]
2815141	LED	2248/60/110	-	7.00	5198	35°	49.0



CCT	
4000 K	
CRI	UGR
>80	<6
LED Service life	
50000h L80B10 /SCDM3	



\*\* Add '-5' on ordering code for DALI control gear or  
 \*\* Add '-4' on ordering code for 1-10V control gear  
 \* Luminaire luminous flux and connected electrical load - initial tolerance of ±10 % (at ambient temperature of 25°C)

**GENERAL** High efficiency suspension luminaire for direct high quality illumination of office spaces.

**OPTICS** Linear multispot downlighter reflectors with complex surfaces geometry of micro facets allow precise shaping of light beam. Angles of direct light beam and light reflected from reflector are almost perfectly aligned, providing sharp cut off for full visual comfort (UGR < 19).

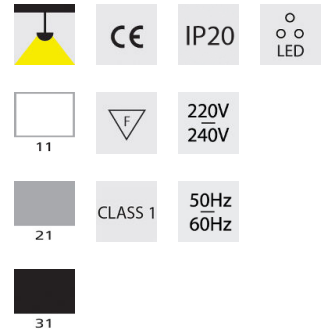
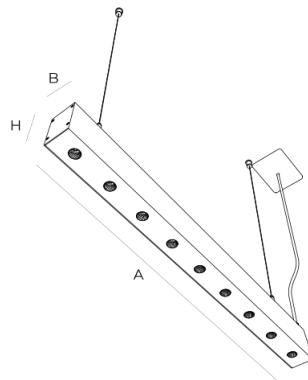
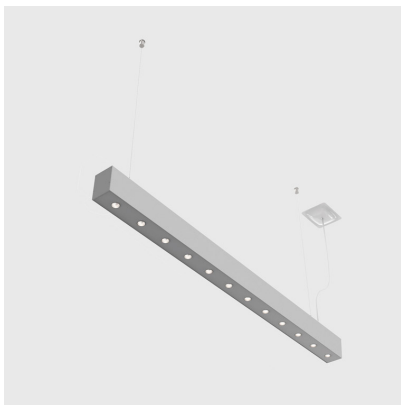
**LIGHTING MANAGEMENT** The choice of appropriate control gear enables integration into lighting management systems, including dynamic white function.

**HOUSING** Luminaire of extruded aluminium. Finish: anodisation in natural aluminium colour or with epoxy polyester powder coating. Fine structured texture. Other colours available upon request.

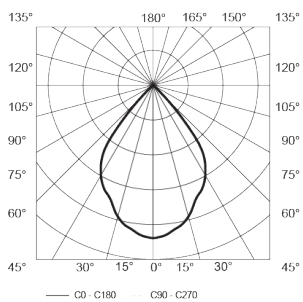
**FEATURES** Possibility to form a long linear line adjusted to the space, in order to gain optimal light uniformity and aesthetic consistency of the interior.

**ADDITIONAL** To be ordered separately: suspension kit, an EM module, enabling operation in the case of a power failure, Dynamic White and other light colour temperatures.

## PRIMA S MD /S 2400 75dg/840



OC ECG **	Socket	A/B/H[mm]	a/b/h[mm]	Weight [kg]	Flux [lm]*	∠	Total power [W]
2815143	LED	2248/60/110	-	7.00	5778	75°	49.0



CCT	
4000 K	
CRI	UGR
>80	<19
LED Service life	
50000h L80B10 /SCDM3	

**GENERAL** High efficiency suspension luminaire for direct high quality illumination of office spaces.

**OPTICS** Linear multispot downlighter reflectors with complex surfaces geometry of micro facets allow precise shaping of light beam. Angles of direct light beam and light reflected from reflector are almost perfectly aligned, providing sharp cut off for full visual comfort (UGR < 19).

**LIGHTING MANAGEMENT** The choice of appropriate control gear enables integration into lighting management systems, including dynamic white function.

**HOUSING** Luminaire of extruded aluminium. Finish: anodisation in natural aluminium colour or with epoxy polyester powder coating. Fine structured texture. Other colours available upon request.

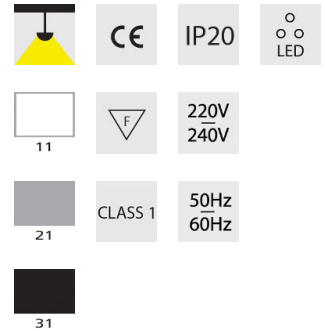
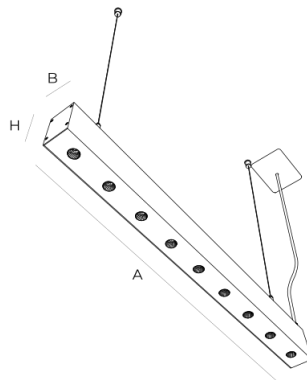
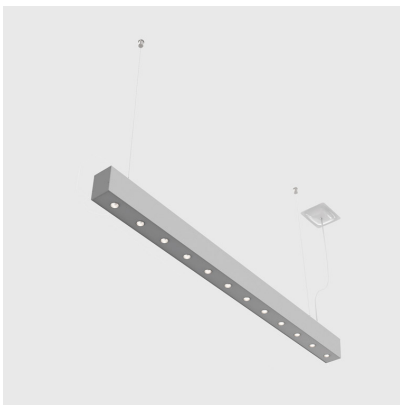
**FEATURES** Possibility to form a long linear line adjusted to the space, in order to gain optimal light uniformity and aesthetic consistency of the interior.

**ADDITIONAL** To be ordered separately: suspension kit, an EM module, enabling operation in the case of a power failure, Dynamic White and other light colour temperatures.

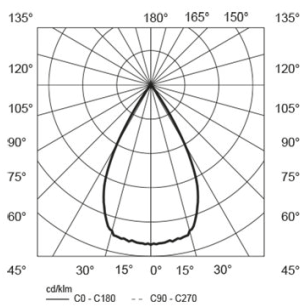


\*\* Add '-5' on ordering code for DALI control gear or  
 \*\* Add '-4' on ordering code for 1-10V control gear  
 \* Luminaire luminous flux and connected electrical load - initial tolerance of ±10 % (at ambient temperature of 25°C)

## PRIMA S MD /S 900 55dg/840



OC ECG **	Socket	A/B/H[mm]	a/b/h[mm]	Weight [kg]	Flux [lm]*	∠	Total power [W]
2815112	LED	846/60/110	-	2.80	2087	55°	18.0



CCT	
4000 K	
CRI	UGR
>80	<13
LED Service life	
50000h L80B10 /SCDM3	

**GENERAL** High efficiency suspension luminaire for direct high quality illumination of office spaces.

**OPTICS** Linear multispot downlighter reflectors with complex surfaces geometry of micro facets allow precise shaping of light beam. Angles of direct light beam and light reflected from reflector are almost perfectly aligned, providing sharp cut off for full visual comfort (UGR < 19).

**LIGHTING MANAGEMENT** The choice of appropriate control gear enables integration into lighting management systems, including dynamic white function.

**HOUSING** Luminaire of extruded aluminium. Finish: anodisation in natural aluminium colour or with epoxy polyester powder coating. Fine structured texture. Other colours available upon request.

**FEATURES** Possibility to form a long linear line adjusted to the space, in order to gain optimal light uniformity and aesthetic consistency of the interior.

**ADDITIONAL** To be ordered separately: suspension kit, an EM module, enabling operation in the case of a power failure, Dynamic White and other light colour temperatures.



\*\* Add '-5' on ordering code for DALI control gear or  
 \*\* Add '-4' on ordering code for 1-10V control gear  
 \* Luminaire luminous flux and connected electrical load - initial tolerance of ±10 % (at ambient temperature of 25°C)