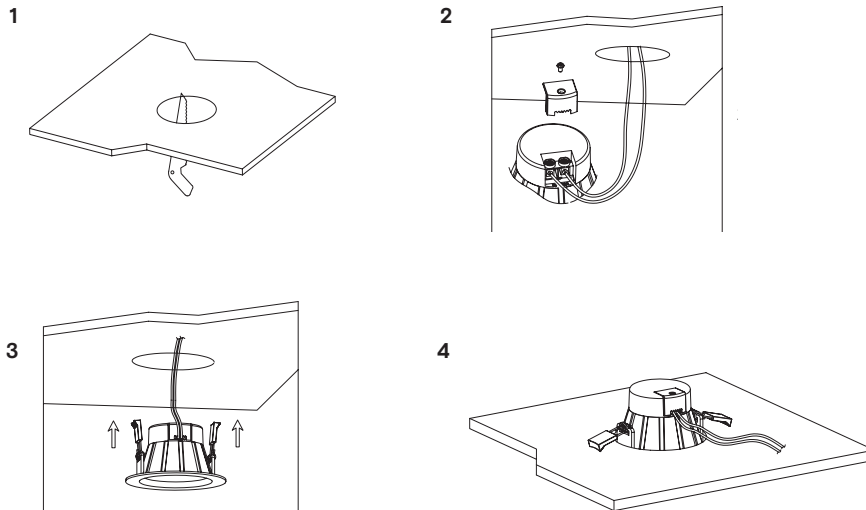


Installation Instructions Thermo Downlight

Product information

The Novii Thermo Downlight is a recessed ceiling fixture with standard triac dimmable driver to suit most projects.

Installation steps



1. Open a hole according to the cutout size of led downlight.
2. Use screw-driver to open the driver terminal cover on the back of downlight, feed the main AC wire L, N, in terminal block respectively, then fix the cover back.
3. Hold back the spring clip then push the downlight into the hole.
4. Make sure the downlight tightly in ceiling, turn on the power (Fig. 1).

Technical specifications

Model	Dimension	Cut-out	Power (W)	CCT (K)	PF	IP	Voltage	Dimmable
G7TD	Ø85mm x 62.5mm	Ø70-75mm	7	2700 - 5000	> 0.9	40	AC220-240V 50/60Hz	Triac dim
G10TD	Ø105mm x 71.5mm	Ø90-95mm	10	2700 - 5000	> 0.9	40	AC220-240V 50/60Hz	

Note : Please check downlight label to see if fitting is dimmable and if so which type of dimming.

Regulations

To ensure correct functionality and safety please read instructions carefully before using this product. This luminaire complies with AS/NZS 60598.2.2A.

All wiring and installation of this luminaire must adhere to local and national wiring rules eg AS/NZS 3000:2007 Amendment 2:2012 Electrical Installation

TIPS

1. Always ensure power is off and the fitting has cooled down before performing any maintenance or adjustment to the fitting
2. To avoid injury or damage to the fitting, ensure that power leads and screws are secure before connecting the power
3. Handle the fitting with care to avoid breakage
4. Find a suitable location away from liquids or hazards
5. To clean, wipe with a damp clean cloth. Never soak the fitting with water.