

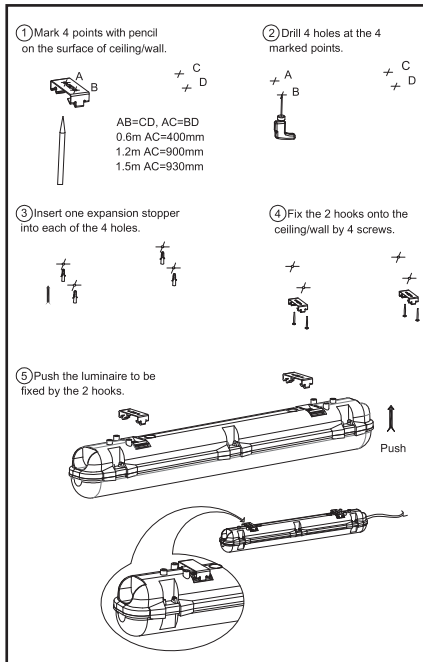
Installation Instructions Exterior Batten

Product information

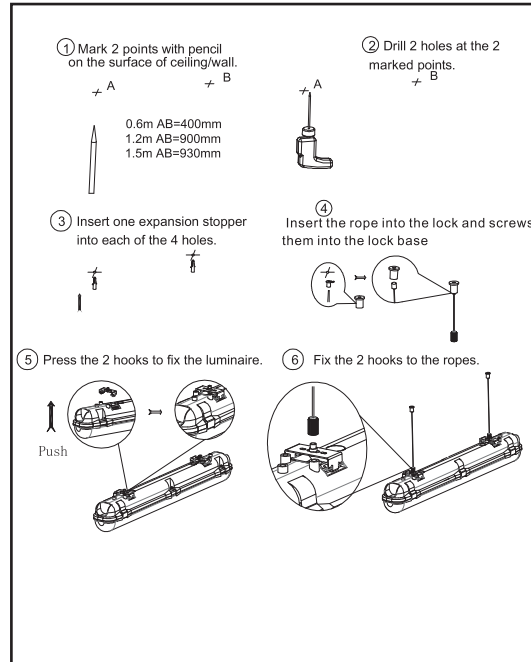
The Novii Exterior Batten is a tri-proof fixture available in two wattages and can be suspended or surface mounted to suit most projects.

Installation steps

Surface mounted



Suspended



Technical specifications

Model	Dimension	Power (W)	CCT (K)	PF	IP	Voltage	Control
F40IP65TP	1220mm x 100mm x 75mm	40	4000 - 5000	> 0.9	65	AC220-240V 50/60Hz	Non-dim Triac Dim
F60IP65TP	1520mm x 100mm x 75mm	60	4000 - 5000	> 0.9	65	AC220-240V 50/60Hz	1-10V DALI

Note : Please check batten label to see if fitting is dimmable and if so which type of dimming.

Regulations

To ensure correct functionality and safety please read instructions carefully before using this product. This luminaire complies with AS/NZS 60598.2.1.

All wiring and installation of this luminaire must adhere to local and national wiring rules eg AS/NZS 3000:2007 Amendment 2:2012 Electrical Installation

TIPS

1. Always ensure power is off and the fitting has cooled down before performing any maintenance or adjustment to the fitting
2. To avoid injury or damage to the fitting, ensure that power leads and screws are secure before connecting the power
3. Handle the fitting with care to avoid breakage
4. Find a suitable location away from liquids or hazards
5. To clean, wipe with a damp clean cloth. Never soak the fitting with water.